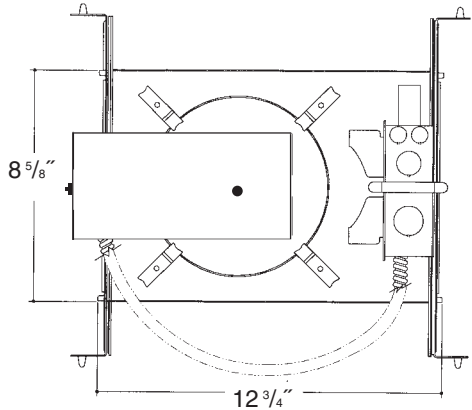


# C o m m e r c i a l G r a d e

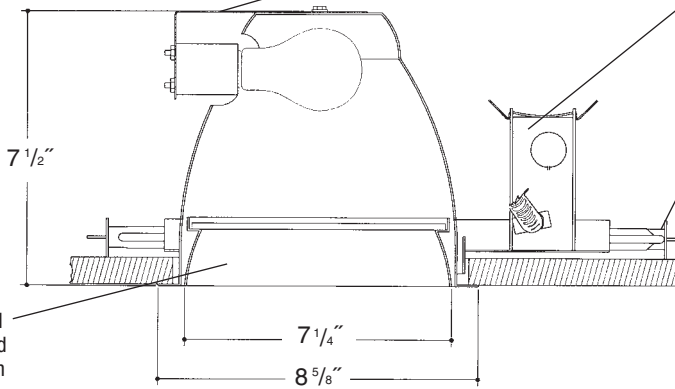
Job Name \_\_\_\_\_

Type \_\_\_\_\_



## 8" HORIZONTAL LENSED INCANDESCENT

Heavy gauge spun aluminum horizontal low iridescent reflector with self trimming flanged splay/lens holder and white painted flange. Polished Flange available. Safety chain provided.



Aluminum socket support. *UL Listed* medium base porcelain socket, with nickel plated brass screw shell.

Heavy gauge electrogalvanized steel junction box, prewired and grounded with easy access from below. Listed for through branch circuit wiring. Thermal cutout provided.

Electrogalvanized steel frame components with spring steel reflector clips for fast assembly of reflector. Innovative, rigid bar hangers incorporate formed cross sections, joist positioning tabs, integral nails, auxiliary nailholes, T-Bar slots and holes for locking bars to T-Bar using #8 self-tapping screws (by others). Bars extend 14"-24". Frame will also accept Caddy Bar #517B for fast installation in drop-in ceilings, bars extend 27".

### Rough in Kit – 8" Horizontal Incandescent (150W A21; 100W A19)

Catalog Number **8INC-HOR** \_\_\_\_\_

**8INC-HOR**

**Wattage**

**Options**

150W MAX. A21  
100W A19

277V SD  
R

Options ▲

**277V SD** Step Down Transformer 277V to 120V  
**R** Remodeler

### Finishing Kit – 8" Horizontal Incandescent Lensed Reflector – clear reflector standard with self trim flange

Catalog Number **86** \_\_\_\_\_

**86**

**Lens**

**Finish**

**Options**

8661 - Tempered Clear Lens  
8664 - Tempered Prismatic Lens (C73 Pattern)  
8666 - Tempered Fresnel Lens

SCL  
SGO  
WHT

PF  
DGSK

Finish (Factory Standard)

**SCL** Specular Clear "Alzak" Splay with White Flange  
**SGO** Specular Gold "Alzak" Splay with White Flange  
**WHT** White Splay with White Flange

Options ▲

**PF** High Polished Flange  
**DGSK** Neoprene Foam Double Gasketing

### Features

Manufactured and Listed to UL 1598, ETL and CSA standards.  
Suitable for Damp Locations  
Wet location under covered ceiling



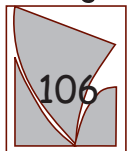
▲ See Options and Finishes pages for a list of additional finishes and equipment.

Vantage reserves the right to change components, finishes or design details in any manner which does not alter the installed appearance or reduce performance and intended function.

08/08

76 Community Avenue Plainfield, CT 06374  
voice (860)564.4512 fax (860)564.4854  
www.vantageltg.com

Vantage



Luminaires