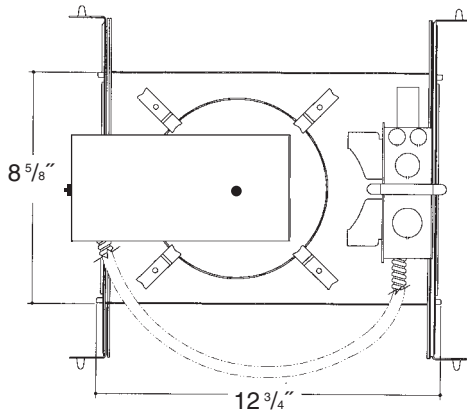


# C o m m e r c i a l G r a d e

Job Name \_\_\_\_\_

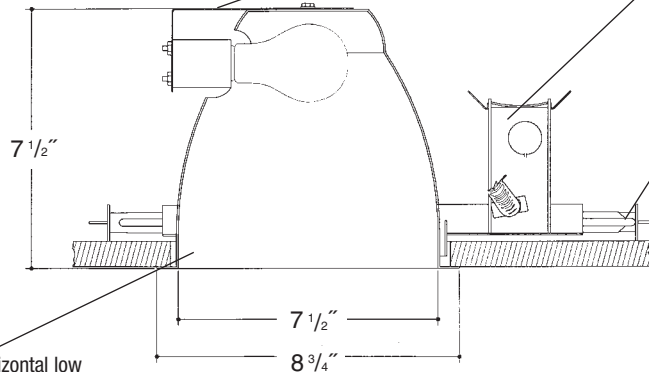
Type \_\_\_\_\_



## 8" HORIZONTAL OPEN INCANDESCENT

Aluminum socket support. *UL Listed* medium base porcelain socket, with nickel plated brass screw shell.

Heavy gauge electrogalvanized steel junction box, prewired and grounded with easy access from below. Listed for through branch circuit wiring. Thermal cutout provided.



Electrogalvanized steel frame components with spring steel reflector clips for fast assembly of reflector. Innovative, rigid bar hangers incorporate formed cross sections, joist positioning tabs, integral nails, auxiliary nailholes, T-Bar slots and holes for locking bars to T-Bar using #8 self-tapping screws (by others). Bars extend 14"-24". Frame will also accept Caddy Bar #517B for fast installation in drop-in ceilings, bars extend 27".

Heavy gauge spun aluminum horizontal low iridescent reflector with self trimming white painted flange. Polished Flange available.

### Rough in Kit – 8" Horizontal Incandescent (150W A21; 100W A19)

Catalog Number **8INC-HOR** \_\_\_\_\_

**8INC-HOR**

Wattage

Options

200W MAX. A21  
150W A21  
100W A19

277V SD  
R

Options ▲

**277V SD**  
**R**

Step Down Transformer 277V to 120V Remodeler

### Finishing Kit – 8" Horizontal Incandescent Open Reflector

Catalog Number **8602** \_\_\_\_\_

**8602**

Finish

Options

SCL  
SGO  
WHT

PF  
GSK

Finish (Factory Standard)

**SCL** Specular Clear "Alzak" with White Flange  
**SGO** Specular Gold "Alzak" with White Flange  
**WHT** White Reflector with White Flange

Options ▲

**PF** High Polished Flange  
**GSK** Neoprene Foam Single Gasketing

#### Features

Manufactured and Listed to UL 1598, ETL and CSA standards.  
*Suitable for Damp Locations*  
*Wet location under covered ceiling*



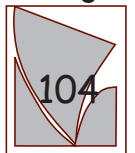
▲ See Options and Finishes pages for a list of additional finishes and equipment.

Vantage reserves the right to change components, finishes or design details in any manner which does not alter the installed appearance or reduce performance and intended function.

08/07

76 Community Avenue Plainfield, CT 06374  
voice (860)564.4512 fax (860)564.4854  
www.vantageltg.com

Vantage



Luminaires

# Photometric Information

**Product Number:** 8INC-HOR/08602SCL

**Frame In Kit:** 8" Horizontal Mount Incandescent

**Reflector:** 8" Horizontal Clear "Alzak" Reflector

**LTL Test Number:** 06626 (A21)

**Lamp(s) Source:** 200W A21 Rated at 3920 lumens

**Total Luminaire Efficiency:** 81.7%

**CIE Type:** Direct

**Luminaire Spacing Criterion:** 0.8

**Luminous Diameter:** 7.5

## Zonal Lumen Summary

ZONE	LUMENS	%LAMP	%FIXTURE
0- 30	1231	31.4	38.4
0- 40	1913	48.8	59.7
0- 60	3168	80.8	98.9
0- 90	3203	81.7	100.0
90-180	0	0.0	0.0
0-180	3203	81.7	100.0

## Cone of Light

**Ft. Fc Dia**  
**Below Nadir @50%**

6.0	63.9	4.3
8.0	36.0	5.7
10.0	23.0	7.2
12.0	16.0	8.6
14.0	11.7	10.0
16.0	9.0	11.4

## Coefficients of Utilization

RC	80				70				50				30				10				0
RW	70	50	30	10	70	50	30	10	50	30	10	50	30	10	50	30	10	50	30	10	0
0	97	97	97	97	95	95	95	95	91	91	91	87	87	87	83	83	83	82	82	82	0
1	92	89	87	85	90	88	86	84	84	83	81	81	80	79	78	77	76	75	75	75	0
2	87	82	79	75	85	81	77	75	78	75	73	76	73	71	73	72	70	68	68	68	0
3	81	75	71	67	80	74	70	66	72	68	65	70	67	64	68	66	63	62	62	62	0
4	76	69	64	60	75	68	63	60	66	62	59	65	61	58	63	60	58	56	56	56	0
5	71	63	58	54	70	63	57	54	61	57	53	60	56	53	58	55	52	51	51	51	0
6	67	58	52	48	65	57	52	48	56	51	48	55	50	47	54	50	47	45	45	45	0
7	62	53	47	43	60	52	46	42	51	46	42	50	45	42	49	45	42	40	40	40	0
8	57	48	42	38	56	47	42	38	46	41	38	45	41	37	45	40	37	36	36	36	0
9	53	44	38	34	52	43	38	34	42	37	34	41	37	33	41	36	33	32	32	32	0
10	49	40	34	30	48	39	34	30	39	33	30	38	33	30	37	33	30	28	28	28	0

