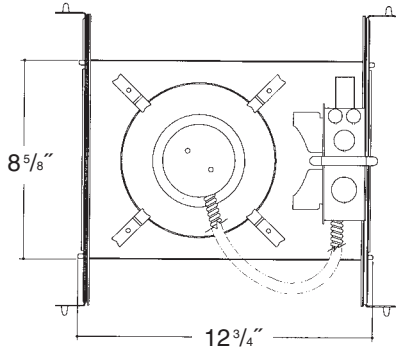


# C o m m e r c i a l G r a d e

Job Name \_\_\_\_\_

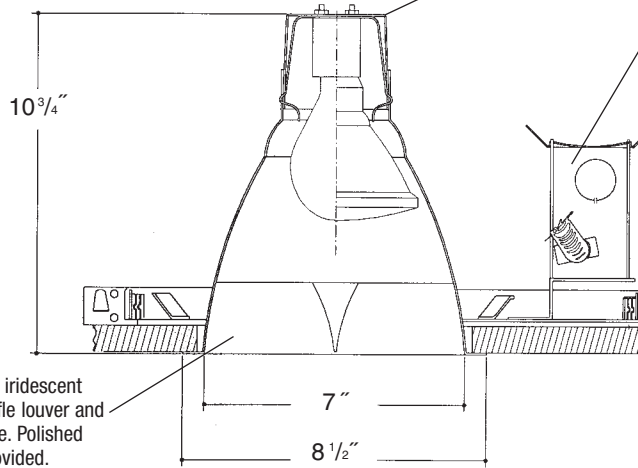
Type \_\_\_\_\_



## 8" CROSS BAFFLE INCANDESCENT

Aluminum socket cup with spring steel snap-in clips for fast assembly. *UL Listed* medium base porcelain socket, with nickel plated brass screw shell.

Heavy gauge electrogalvanized steel junction box, prewired and grounded with easy access from below. Listed for through branch circuit wiring. Thermal cutout provided.



Electrogalvanized steel frame components with spring steel reflector clips for fast assembly of reflector. Innovative, rigid bar hangers incorporate formed cross sections, joint positioning tabs, integral nails, auxiliary nailholes, T-Bar slots and holes for locking bars to T-Bar using #8 self-tapping screws (by others). Bars extend 14"-24". Frame will also accept Caddy Bar #517B for fast installation in drop-in ceilings, bars extend 27".

Heavy gauge spun aluminum low iridescent reflector with parabolic cross baffle louver and self trimming white painted flange. Polished Flange available. Safety chain provided.

### Rough in Kit – 8" Incandescent (150W A21; 150W PAR38; 100W A19)

Catalog Number **8INC** \_\_\_\_\_

**8INC**

Wattage

Options

150W MAX. A21  
150W PAR38  
100W A19

277V SD  
R

Options ▲

**277V SD**  
**R**

Step Down Transformer 277V to 120V Remodeler

### Finishing Kit – 8" Incandescent Parabolic Cross Baffle Louver

Catalog Number **8035** \_\_\_\_\_

**8035**

Finish

Options

SCL  
SGO  
WHT

PF  
GSK

Finish (Factory Standard)

**SCL**  
**SGO**  
**WHT**

Specular Clear "Alzak" with White Flange  
Specular Gold "Alzak" with White Flange  
White Reflector with White Flange

Options ▲

**PF**  
**GSK**

High Polished Flange  
Neoprene Foam Single Gasketing

### Consult Factory For Lens Options

#### Features

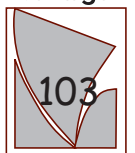
Manufactured and Listed to UL 1598, ETL and CSA standards.  
Suitable for Damp Locations  
Wet location under covered ceiling



▲ See Options and Finishes pages for a list of additional finishes and equipment.

Vantage reserves the right to change components, finishes or design details in any manner which does not alter the installed appearance or reduce performance and intended function.

Vantage



06/07

76 Community Avenue Plainfield, CT 06374  
voice (860)564.4512 fax (860)564.4854  
www.vantageltg.com

Luminaires