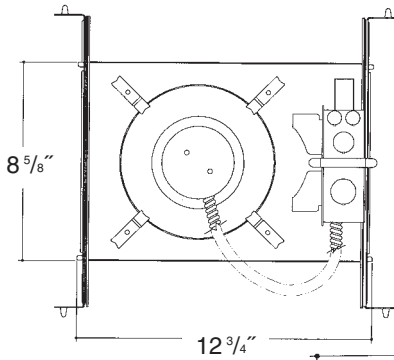


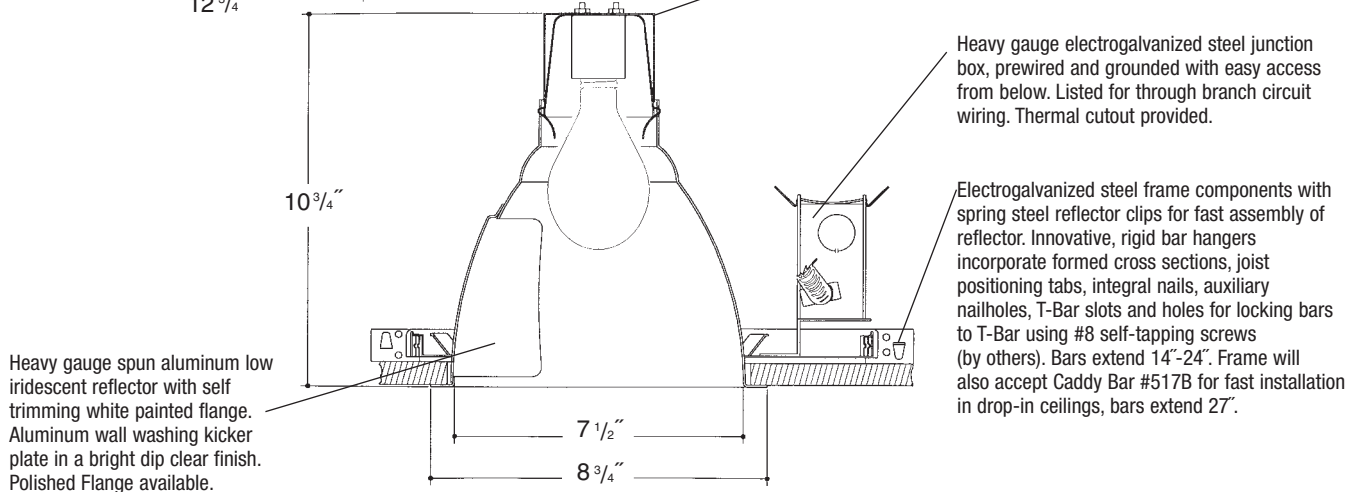
C o m m e r c i a l G r a d e

Job Name _____

Type _____



8" OPEN WALL WASH INCANDESCENT



Aluminum socket cup with spring steel snap-in clips for fast assembly. *UL Listed* medium base porcelain socket, with nickel plated brass screw shell.

Heavy gauge electrogalvanized steel junction box, prewired and grounded with easy access from below. Listed for through branch circuit wiring. Thermal cutout provided.

Electrogalvanized steel frame components with spring steel reflector clips for fast assembly of reflector. Innovative, rigid bar hangers incorporate formed cross sections, joist positioning tabs, integral nails, auxiliary nailholes, T-Bar slots and holes for locking bars to T-Bar using #8 self-tapping screws (by others). Bars extend 14"-24". Frame will also accept Caddy Bar #517B for fast installation in drop-in ceilings, bars extend 27".

Heavy gauge spun aluminum low iridescent reflector with self trimming white painted flange. Aluminum wall washing kicker plate in a bright dip clear finish. Polished Flange available.

Rough in Kit – 8" Incandescent (200W A23; 150W A21; 100W A19)

Catalog Number **8INC** _____

| 8INC | Wattage | Options |
|------|---------------------------------------|--------------|
| | 200W MAX. A23 150W A21 100W A19 | 277V SD R |

Options ▲
277V SD Step Down Transformer 277V to 120V
R Remodeler

Finishing Kit – 8" Incandescent Open Reflector Downlight Wall Washer

Catalog Number **8100** _____

| 8100 | Finish | Options |
|------|------------|-------------------------|
| | SCL SGO | PF DWW CWW GSK |

Finish (Factory Standard)
SCL Specular Clear "Alzak" with White Flange
SGO Specular Gold "Alzak" with White Flange

Options ▲
PF High Polished Flange
DWW Double Wall Wash
CWW Corner Wall Wash
GSK Neoprene Foam Single Gasketing

Features

Manufactured and Listed to UL 1598, ETL and CSA standards. Suitable for Damp Locations. Wet location under covered ceiling



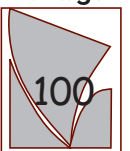
▲ See Options and Finishes pages for a list of additional finishes and equipment.

Vantage reserves the right to change components, finishes or design details in any manner which does not alter the installed appearance or reduce performance and intended function.

06/07

76 Community Avenue Plainfield, CT 06374
 voice (860)564.4512 fax (860)564.4854
 www.vantageltg.com

Vantage



Luminaires