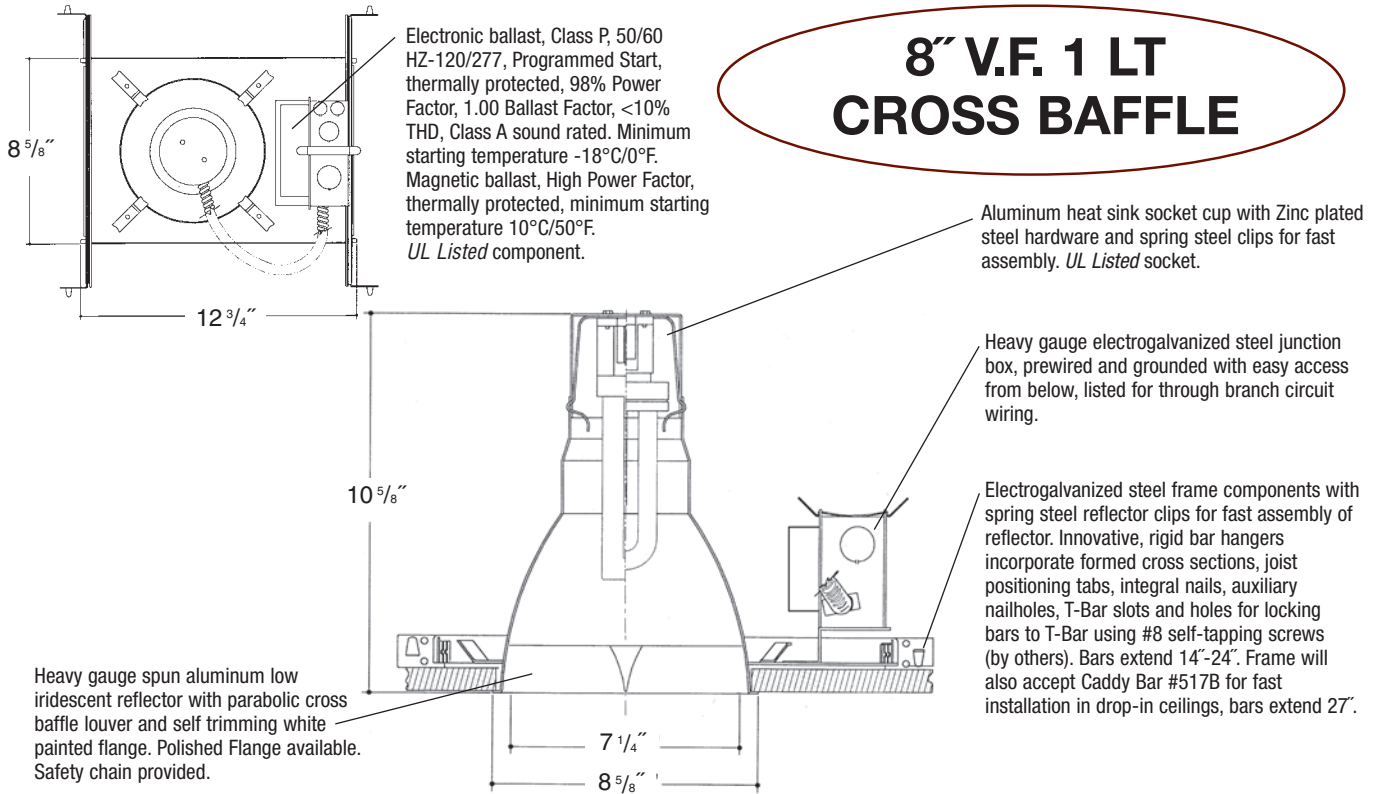


C o m m e r c i a l G r a d e

Job Name _____

Type _____



8" V.F. 1 LT CROSS BAFFLE

Rough in Kit – 8" Vertical Fluorescent 1-Lamp (Compact Fluorescent Twin, Quad or Triple Tube)

Catalog Number **8VF1**

8VF1

Wattage	Ballast	Voltage	Options
42W MAX. PLT●●	E	1	EM
32W PLT●●	H	2	F
26W DTT, PLT●●	DA	3	R
18W DTT, PLT●●	DL	4	PR
13"W TT, DTT			

Ballast		
E	Electronic	(4 Pin Lamp)
H	High Power Factor	(2 Pin Lamp)
DA	Dimming - Advance Mark X	(4 Pin Lamp)
DL	Dimming - Lutron	(4 Pin Lamp)
*	13W Advance Mark VII Only	
Voltage		
1	120 Volts	
2	277 Volts	
3	347 Volts (Electronic Ballast Only)	
4	208 Volts (Electronic Ballast Only)	
Options ▲		
EM	Emergency Battery	
F	Fused	
R	Remodeler	
PR	Plaster Ring	

●●2-Lamp Not Available in Triple Tube

2-Lamp – Replace **8VF1** with **8VF2**

Electronic Multi-Tap Ballast 120V Thru 277V Factory Standard

Finishing Kit – 8" Vertical Fluorescent Parabolic Cross Baffle Louver

Catalog Number **8035**

8035

Finish	Options
SCL	PF
SGO	
WHT	

Finish (Factory Standard)	
SCL	Specular Clear "Alzak" with White Flange
SGO	Specular Gold "Alzak" with White Flange
WHT	White Reflector with White Flange
Options ▲	
PF	High Polished Flange

Features

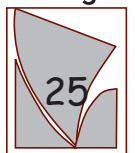
Manufactured and Listed to UL 1598, ETL and CSA standards. Suitable for Damp Locations Wet location under covered ceiling



▲ See Options and Finishes pages for a list of additional finishes and equipment.

Vantage reserves the right to change components, finishes or design details in any manner which does not alter the installed appearance or reduce performance and intended function.

Vantage



Luminaires

76 Community Avenue Plainfield, CT 06374
voice (860)564.4512 fax (860)564.4854
www.vantageitg.com

12/09