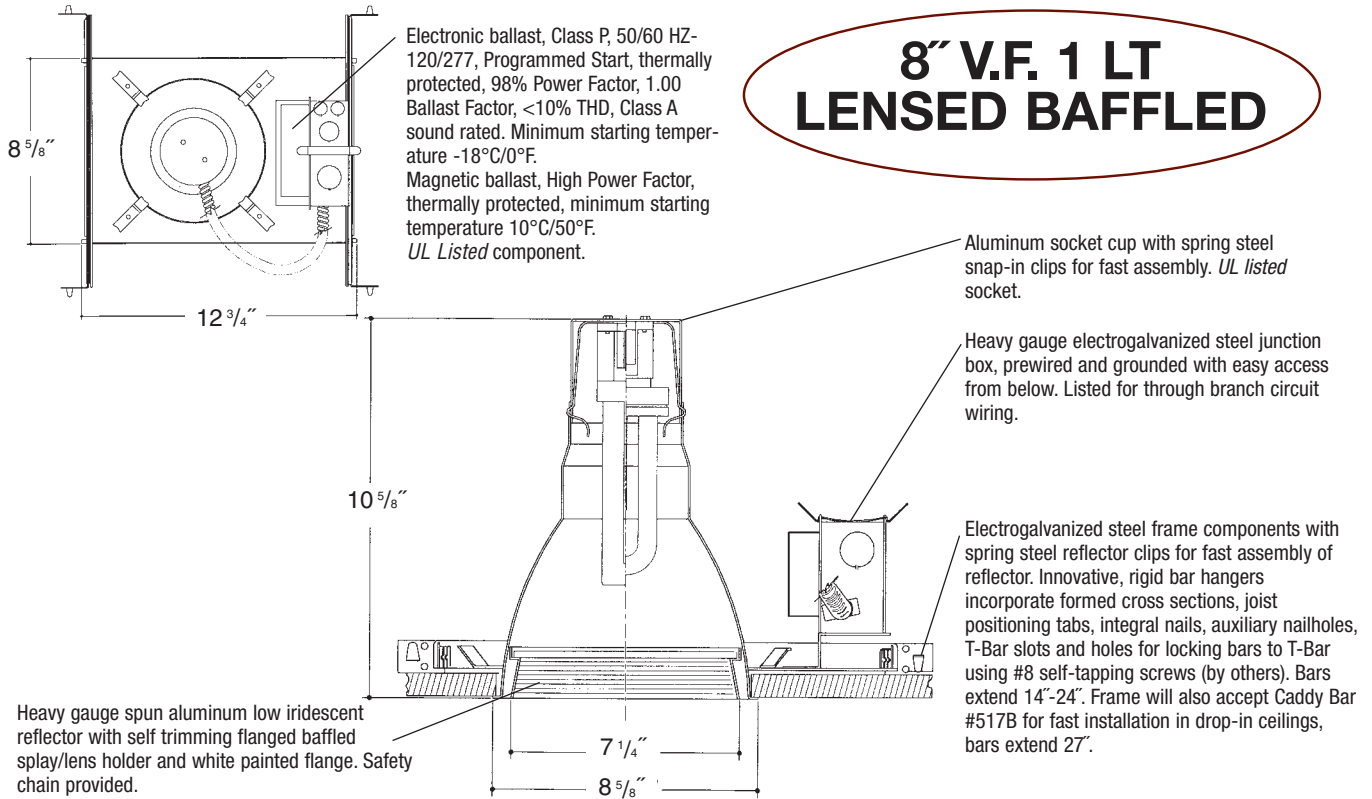


C o m m e r c i a l G r a d e

Job Name _____

Type _____



**8" V.F. 1 LT
LENSED BAFFLED**

Rough in Kit – 8" Vertical Fluorescent 1-Lamp (Compact Fluorescent Twin, Quad or Triple Tube)

Catalog Number **8VF1** _____

8VF1	Wattage	Ballast	Voltage	Options
	42W MAX. PLT●●	E	1	EM
	32W PLT●●	H	2	F
	26W DTT, PLT●●	DA	3	R
	18W DTT, PLT●●	DL	4	
	13"W TT, DTT			

Ballast		
E	Electronic	(4 Pin Lamp)
H	High Power Factor	(2 Pin Lamp)
DA	Dimming - Advance Mark X	(4 Pin Lamp)
DL	Dimming - Lutron	(4 Pin Lamp)
*	13W Advance Mark VII Only	
Voltage		
1	120 Volts	
2	277 Volts	
3	347 Volts (Electronic Ballast only)	
4	208 Volts (Electronic Ballast Only)	
Options ▲		
EM	Emergency Battery	
F	Fused	
R	Remodeler	

●●2-Lamp Not Available in Triple Tube

2-Lamp – Replace 8VF1 with 8VF2
Electronic Multi-Tap Ballast 120V Thru 277V Factory Standard

Finishing Kit – 8" Vertical Fluorescent Lensed Reflector – clear reflector standard with Black or White Baffled Splay and self trim flange

Catalog Number **82** _____

82	Lens	Finish	Options
	8221 - Tempered Clear Lens	SCL/BL	DGSK
	8224 - Tempered Prismatic Lens (C73 Pattern)	SCL/WH	
	8226 - Fresnel Lens	WHT/WH	
		WHT/BL	

Finish (Factory Standard)	
SCL/BL	Specular Clear "Alzak" with Black Baffled Splay
SCL/WH	Specular Clear "Alzak" with White Baffled Splay
WHT/WH	White Reflector with White Baffled Splay
WHT/BL	White Reflector with Black Baffled Splay
Options ▲	
DGSK	Neoprene Foam Double Gasketing

Features

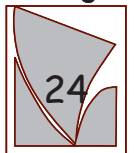
Manufactured and Listed to UL 1598, ETL and CSA standards.
Suitable for Damp Locations
Wet location under covered ceiling



▲ See Options and Finishes pages for a list of additional finishes and equipment.

Vantage reserves the right to change components, finishes or design details in any manner which does not alter the installed appearance or reduce performance and intended function.

Vantage



Luminaires

76 Community Avenue Plainfield, CT 06374
voice (860)564.4512 fax (860)564.4854
www.vantageitg.com

08/08