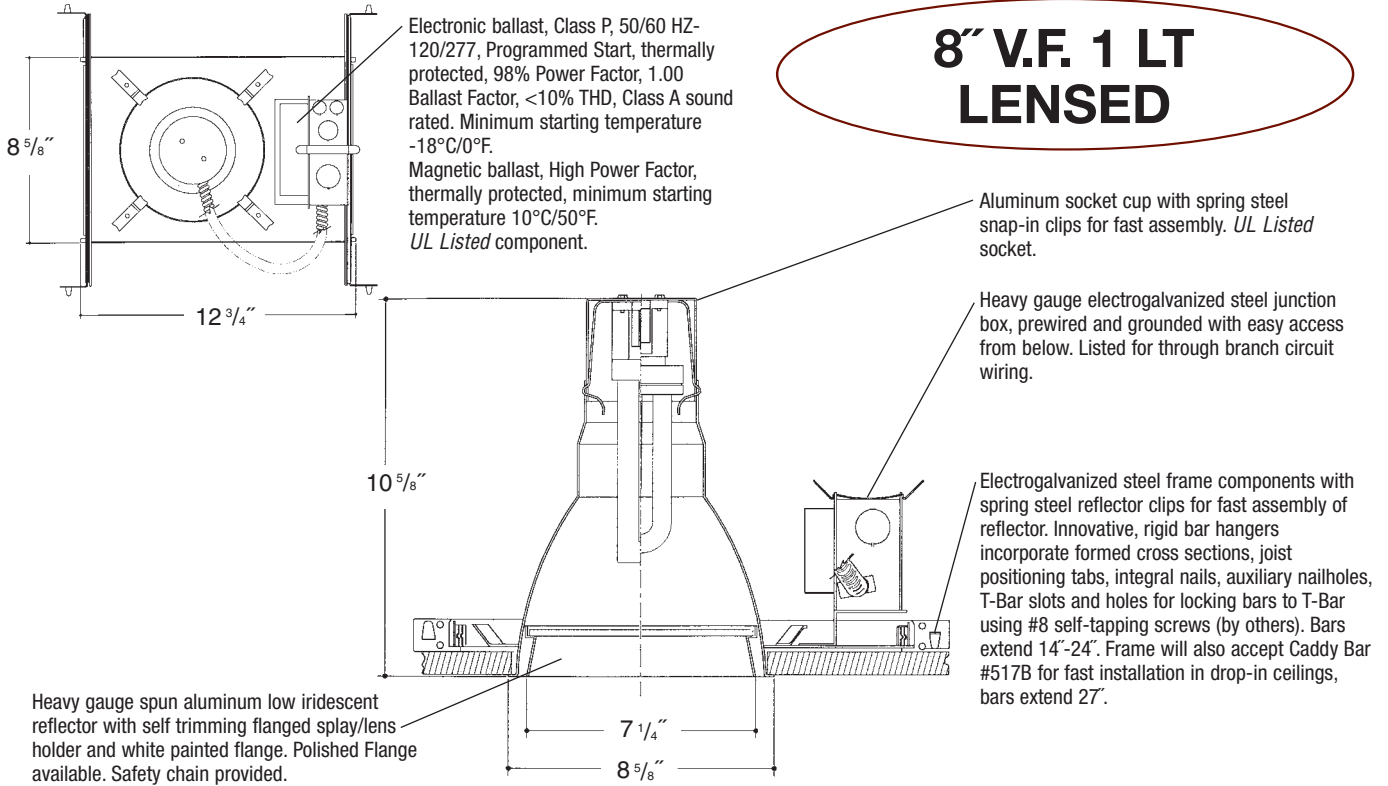


# Commercial Grade

Job Name \_\_\_\_\_

Type \_\_\_\_\_



## Rough in Kit – 8" Vertical Fluorescent 1-Lamp (Compact Fluorescent Twin, Quad or Triple Tube)

Catalog Number **8VF1** \_\_\_\_\_

8VF1	Wattage	Ballast	Voltage	Options
	42W MAX. PLT●●	E	1	EM
	32W PLT●●	H	2	F
	26W DTT, PLT●●	DA	3	R
	18W DTT, PLT●●	DL	4	
	13*W TT, DTT			

Ballast		
E	Electronic	(4 Pin Lamp)
H	High Power Factor	(2 Pin Lamp)
DA	Dimming - Advance Mark X	(4 Pin Lamp)
DL	Dimming - Lutron	(4 Pin Lamp)
*	13W Advance Mark VII Only	
Voltage		
1	120 Volts	
2	277 Volts	
3	347 Volts (Electronic Ballast Only)	
4	208 Volts (Electronic Ballast Only)	
Options ▲		
EM	Emergency Battery	
F	Fused	
R	Remodeler	

●●2-Lamp Not Available in Triple Tube

2-Lamp – Replace 8VF1 with 8VF2

Electronic Multi-Tap Ballast 120V Thru 277V Factory Standard

## Finishing Kit – 8" Vertical Fluorescent Lensed Reflector – clear reflector standard with self trim flange

Catalog Number **82** \_\_\_\_\_

82	Lens	Finish	Options
	8211 - Tempered Clear Lens	SCL	PF
	8214 - Tempered Prismatic Lens (C73 Pattern)	SGO	DGSK
	8216 - Fresnel Lens	WHT	

Finish (Factory Standard)

SCL	Specular Clear "Alzak" Splay with White Flange
SGO	Specular Gold "Alzak" Splay with White Flange
WHT	White Splay with White Flange

Options ▲

PF	High Polished Flange
DGSK	Neoprene Foam Double Gasketing

### Features

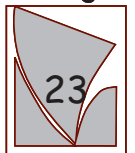
Manufactured and Listed to UL 1598, ETL and CSA standards. Suitable for Damp Locations Wet location under covered ceiling



▲ See Options and Finishes pages for a list of additional finishes and equipment.

Vantage reserves the right to change components, finishes or design details in any manner which does not alter the installed appearance or reduce performance and intended function.

Vantage



Luminares

76 Community Avenue Plainfield, CT 06374

voice (860)564.4512 fax (860)564.4854

www.vantageitg.com

08/08