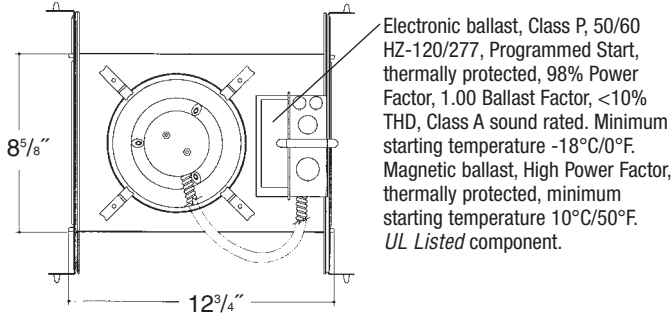


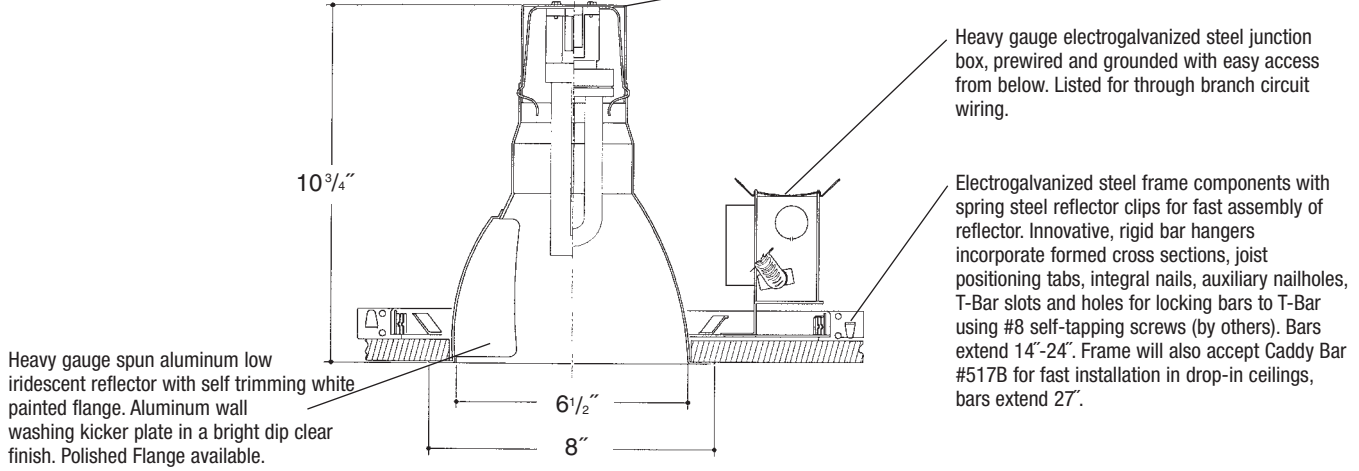
# C o m m e r c i a l G r a d e

Job Name \_\_\_\_\_

Type \_\_\_\_\_



## 7" V.F. 1 LT OPEN WALL WASH



### Rough in Kit – 7" Vertical Fluorescent 1-Lamp (Compact Fluorescent Twin, Quad or Triple Tube)

Catalog Number **7VF1** \_\_\_\_\_

7VF1	Wattage	Ballast	Voltage	Options
	42W MAX. PLT	E	1	EM
	32W PLT	H	2	F
	26W DTT, PLT	DA	3	R
	18W DTT PLT	DL	4	EMI
	13*W TT, DTT			

Ballast		
E	Electronic	(4 Pin Lamp)
H	High Power Factor	(2 Pin Lamp)
DA	Dimming - Advance Mark X	(4 Pin Lamp)
DL	Dimming - Lutron	(4 Pin Lamp)
*	13W Advance Mark VII Only	
Voltage		
1	120 Volts	
2	277 Volts	
3	347 Volts (Electronic Ballast Only)	
4	208 Volts (Electronic Ballast Only)	
Options ▲		
EM	Emergency Battery	
F	Fused	
R	Remodeler	
EMI	Internal Mounted Emergency Test Switch	

**2-Lamp** Not Available in **Triple Tube**

**2-Lamp** – Replace **7VF1** with **7VF2**

Electronic Multi-Tap Ballast 120V Thru 277V Factory Standard

### Finishing Kit – 7" Vertical Fluorescent Open Reflector Downlight Wall Washer

Catalog Number **7210** \_\_\_\_\_

7210	Finish	Options
	SCL	PF
	SGO	DWW
		CWW
		GSK

Finish (Factory Standard)

SCL	Specular Clear "Alzak" with White Flange
SGO	Specular Gold "Alzak" with White Flange

Options ▲

PF	High Polished Flange
DWW	Double Wall Wash
CWW	Corner Wall Wash
GSK	Neoprene Foam Single Gasketing

#### Features

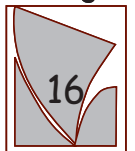
Manufactured and Listed to UL 1598, ETL and CSA standards. Suitable for Damp Locations. Wet location under covered ceiling



▲ See Options and Finishes pages for a list of additional finishes and equipment.

Vantage reserves the right to change components, finishes or design details in any manner which does not alter the installed appearance or reduce performance and intended function.

Vantage



Luminaires

76 Community Avenue Plainfield, CT 06374

voice (860)564.4512 fax (860)564.4854

www.vantageitg.com

06/07