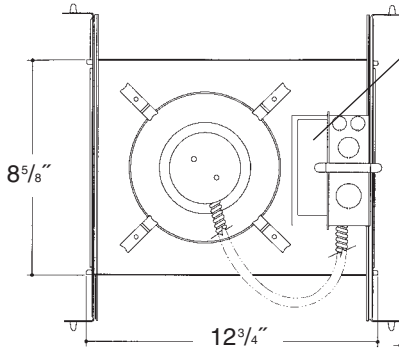


Commercial Grade

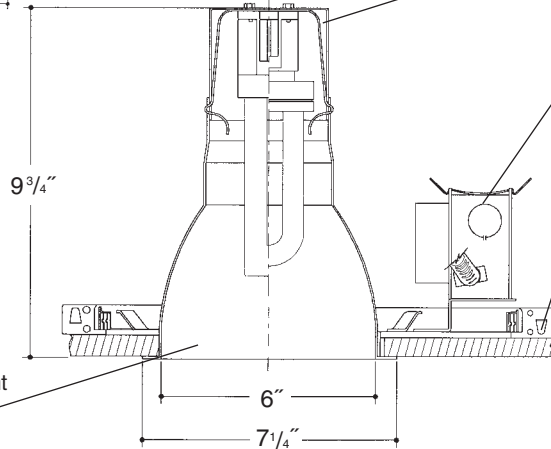
Job Name _____

Type _____



Electronic ballast, Class P, 50/60 HZ-120/277, Programmed Start, thermally protected, 98% Power Factor, 1.00 Ballast Factor, <10% THD, Class A sound rated. Minimum starting temperature -18°C/0°F.
Magnetic ballast, High Power Factor, thermally protected, minimum starting temperature 10°C/50°F.
UL Listed component.

6" V.F. 1 LT OPEN



Heavy gauge spun aluminum low iridescent reflector with self trimming white painted flange. Polished Flange available.

Aluminum socket cup with spring steel snap-in clips for fast assembly. *UL Listed* socket.

Heavy gauge electrogalvanized steel junction box, prewired and grounded with easy access from below. Listed for through branch circuit wiring.

Electrogalvanized steel frame components with spring steel reflector clips for fast assembly of reflector. Innovative, rigid bar hangers incorporate formed cross sections, joint positioning tabs, integral nails, auxiliary nailholes, T-Bar slots and holes for locking bars to T-Bar using #8 self-tapping screws (by others). Bars extend 14"-24". Frame will also accept Caddy Bar #517B for fast installation in drop-in ceilings, bars extend 27".

Rough in Kit – 6" Vertical Fluorescent 1-Lamp (Compact Fluorescent Twin, Quad or Triple Tube)

Catalog Number **6VF1**

6VF1	Wattage	Ballast	Voltage	Options
	42W MAX. PLT	E	1	EM
	32W PLT	H	2	F
	26W DTT, PLT	DA	3	R
	18W DTT PLT	DL	4	EMI
	13"W TT, DTT			

Ballast

E	Electronic	(4 Pin Lamp)
H	High Power Factor	(2 Pin Lamp)
DA	Dimming - Advance Mark X	(4 Pin Lamp)
DL	Dimming - Lutron	(4 Pin Lamp)
*	13W Advance Mark VII Only	

Voltage

1	120 Volts
2	277 Volts
3	347 Volts (Electronic Ballast Only)
4	208 Volts (Electronic Ballast Only)

Options ▲

EM	Emergency Battery
F	Fused
R	Remodeler
EMI	Internal Mounted Emergency Test Switch

2-Lamp Not Available in Triple Tube

2-Lamp – Replace 6VF1 with 6VF2

Electronic Multi-Tap Ballast 120V Thru 277V Factory Standard

Finishing Kit – 6" Vertical Fluorescent Open Reflector

Catalog Number **6002**

6002	Finish	Options
	SCL	PF
	SGO	GSK
	WHT	

Finish (Factory Standard)

SCL	Specular Clear "Alzak" with White Flange
SGO	Specular Gold "Alzak" with White Flange
WHT	White Reflector with White Flange

Options ▲

PF	High Polished Flange
GSK	Neoprene Foam Single Gasketing



Features

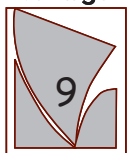
Manufactured and Listed to UL 1598, ETL and CSA standards.
Suitable for Damp Locations
Wet location under covered ceiling



▲ See Options and Finishes pages for a list of additional finishes and equipment.

Vantage reserves the right to change components, finishes or design details in any manner which does not alter the installed appearance or reduce performance and intended function.

Vantage



Luminaires

76 Community Avenue Plainfield, CT 06374
voice (860)564.4512 fax (860)564.4854
www.vantageitg.com

07/09

Photometric Information

Product Number: 6VF113E1/6002SCL
Frame In Kit: 6" Vertical Mount Fluorescent
Reflector: 6" Vertical Clear "Alzak" Reflector
LTL Test Number: 05650
Lamp(s) Source: (1) 13W DTT 4pin lamp rated at 900 lumens
Total Luminaire Efficiency: 48.5%
CIE Type: Direct
Luminaire Spacing Criterion: 0.8
Luminous Diameter: 6.0

Zonal Lumen Summary

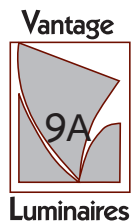
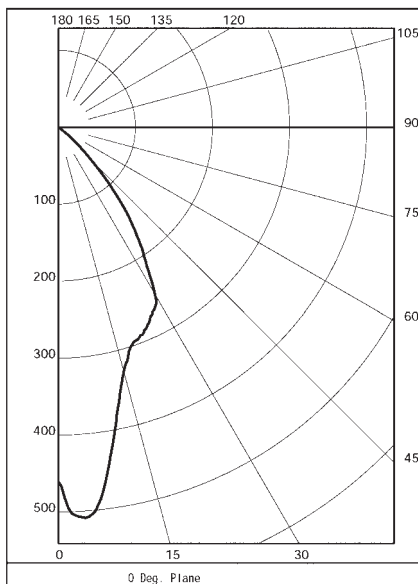
ZONE	LUMENS	%LAMP	%FIXTURE
0- 30	268	29.8	61.4
0- 40	382	42.5	87.6
0- 60	436	48.5	100.0
0- 90	436	48.5	100.0
90-180	0	0.0	0.0
0-180	436	48.5	100.0

Cone of Light

Ft. Below	Fc Nadir	Dia @50%
6.0	12.8	4.9
8.0	7.2	6.5
10.0	4.6	8.2
12.0	3.2	9.8
14.0	2.3	11.4
16.0	1.8	13.1

Coefficients of Utilization

RC	80				70				50				30				10				0
RW	70	50	30	10	70	50	30	10	50	30	10	50	30	10	50	30	10	50	30	10	0
0	58	58	58	58	56	56	56	56	54	54	54	52	52	52	49	49	49	48			
1	55	54	53	52	54	53	52	51	51	50	49	49	48	48	47	47	46	45			
2	52	50	48	47	51	49	48	46	48	46	45	46	45	44	45	44	43	42			
3	50	47	44	42	49	46	44	42	45	43	41	44	42	41	43	41	40	39			
4	47	43	41	39	46	43	40	39	42	40	38	41	39	38	40	38	37	36			
5	45	41	38	36	44	40	37	35	39	37	35	38	36	35	38	36	34	34			
6	42	38	35	33	42	38	35	33	37	34	33	36	34	32	36	34	32	31			
7	40	35	32	30	39	35	32	30	34	32	30	34	32	30	33	31	30	29			
8	38	33	30	28	37	33	30	28	32	29	28	32	29	28	31	29	27	27			
9	35	30	27	25	35	30	27	25	30	27	25	29	27	25	29	27	25	24			
10	33	28	25	23	33	28	25	23	28	25	23	27	25	23	27	25	23	22			



Product Number: 6VF118E1/6002SCL
Frame In Kit: 6" Vertical Mount Fluorescent
Reflector: 6" Vertical Clear "Alzak" Reflector
LTL Test Number: 05651
Lamp(s) Source: (1) 18W DTT 4pin lamp rated at 1250 lumens
Total Luminaire Efficiency: 54.5%
CIE Type: Direct
Luminaire Spacing Criterion: 0.9
Luminous Diameter: 6.0

Zonal Lumen Summary

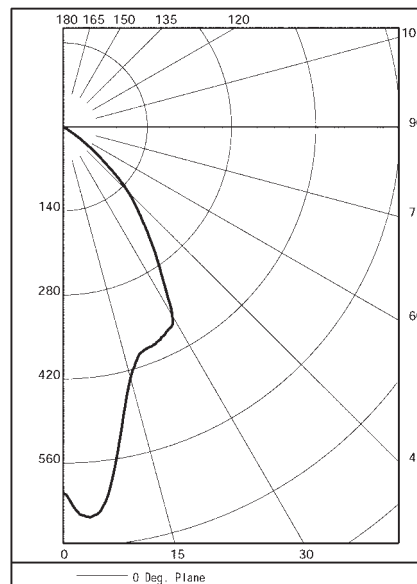
ZONE	LUMENS	%LAMP	%FIXTURE
0- 30	361	28.9	53.0
0- 40	534	42.7	78.4
0- 60	681	54.5	100.0
0- 90	681	54.5	100.0
90-180	0	0.0	0.0
0-180	681	54.5	100.0

Cone of Light

Ft. Below	Fc Nadir	Dia @50%
6.0	16.9	5.1
8.0	9.5	6.8
10.0	6.1	8.5
12.0	4.2	10.2
14.0	3.1	11.9
16.0	2.4	13.6

Coefficients of Utilization

RC	80				70				50				30				10				0
RW	70	50	30	10	70	50	30	10	50	30	10	50	30	10	50	30	10	50	30	10	0
0	65	65	65	65	64	64	64	64	61	61	61	58	58	58	56	56	56	55			
1	62	60	59	58	61	59	58	57	57	56	55	55	54	53	53	52	52	51			
2	59	56	54	52	57	55	53	51	53	51	50	51	50	49	50	49	48	47			
3	55	52	49	47	54	51	48	46	49	47	45	48	46	45	47	45	44	43			
4	52	48	45	42	51	47	44	42	46	43	41	45	43	41	44	42	40	39			
5	49	44	41	38	48	44	40	38	43	40	38	42	39	37	41	39	37	36			
6	46	41	37	35	45	40	37	35	40	37	34	39	36	34	38	36	34	33			
7	43	38	34	32	43	37	34	32	37	34	31	36	33	31	35	33	31	30			
8	40	35	31	29	40	34	31	28	34	31	28	33	30	28	33	30	28	27			
9	38	32	28	26	37	31	28	26	31	28	25	30	27	25	30	27	25	24			
10	35	29	26	23	35	29	26	23	29	25	23	28	25	23	28	25	23	22			



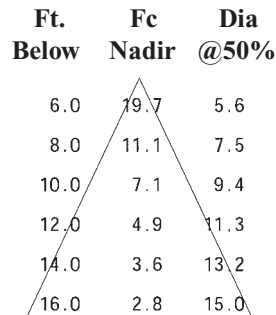
Photometric Information

Product Number: 6VF126E1/6002SCL
Frame In Kit: 6" Vertical Mount Fluorescent
Reflector: 6" Vertical Clear "Alzak" Reflector
LTL Test Number: 05652
Lamp(s) Source: (1) 26W DTT 4pin lamp rated at 1800 lumens
Total Luminaire Efficiency: 53.6%
CIE Type: Direct
Luminaire Spacing Criterion: 0.9
Luminous Diameter: 6.0

Zonal Lumen Summary

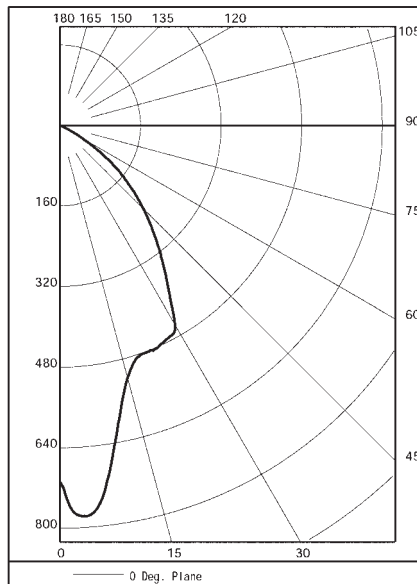
ZONE	LUMENS	%LAMP	%FIXTURE
0- 30	439	24.4	45.4
0- 40	669	37.2	69.3
0- 60	949	52.7	98.2
0- 90	966	53.6	100.0
90-180	0	0.0	0.0
0-180	966	53.6	100.0

Cone of Light



Coefficients of Utilization

RC	80				70				50				30				10				0
RW	70	50	30	10	70	50	30	10	50	30	10	50	30	10	50	30	10	50	30	10	0
0	64	64	64	64	62	62	62	62	60	60	60	57	57	57	55	55	55	54	54	54	54
1	60	59	57	56	59	58	56	55	55	54	53	53	53	52	52	51	50	49	49	49	49
2	57	54	52	49	56	53	51	49	51	49	48	50	48	47	48	47	46	45	45	45	45
3	53	50	46	44	52	49	46	44	47	45	43	46	44	42	45	43	42	41	41	41	41
4	50	45	42	39	49	45	41	39	43	41	39	42	40	38	41	39	38	37	37	37	37
5	47	41	38	35	46	41	37	35	40	37	35	39	36	34	38	36	34	33	33	33	33
6	44	38	34	32	43	38	34	31	37	34	31	36	33	31	35	33	31	30	30	30	30
7	41	35	31	28	40	34	31	28	34	30	28	33	30	28	32	30	28	27	27	27	27
8	38	32	28	25	37	31	28	25	31	27	25	30	27	25	29	27	25	24	24	24	24
9	35	29	25	22	34	28	25	22	28	25	22	27	24	22	27	24	22	21	21	21	21
10	33	26	23	20	32	26	22	20	26	22	20	25	22	20	25	22	20	19	19	19	19

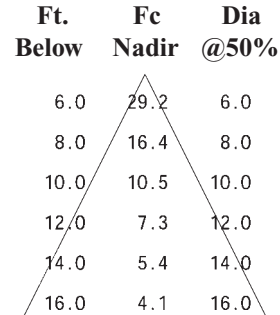


Product Number: 6VF132E1/6002SCL
Frame In Kit: 6" Vertical Mount Fluorescent
Reflector: 6" Vertical Clear "Alzak" Reflector
LTL Test Number: 05653
Lamp(s) Source: (1) 32W PLT 4pin lamp rated at 2400 lumens
Total Luminaire Efficiency: 54.8%
CIE Type: Direct
Luminaire Spacing Criterion: 1.0
Luminous Diameter: 6.0

Zonal Lumen Summary

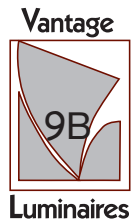
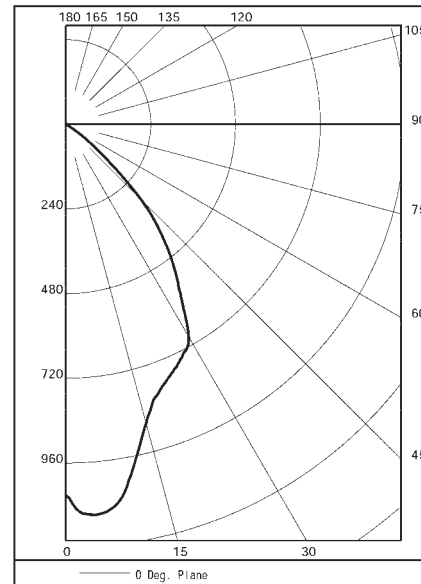
ZONE	LUMENS	%LAMP	%FIXTURE
0- 30	698	29.1	53.1
0- 40	1047	43.6	79.6
0- 60	1315	54.8	100.0
0- 90	1315	54.8	100.0
90-180	0	0.0	0.0
0-180	1315	54.8	100.0

Cone of Light



Coefficients of Utilization

RC	80				70				50				30				10				0
RW	70	50	30	10	70	50	30	10	50	30	10	50	30	10	50	30	10	50	30	10	0
0	65	65	65	65	64	64	64	64	61	61	61	58	58	58	56	56	56	55	55	55	55
1	62	60	59	58	61	59	58	57	57	56	55	55	54	54	53	53	52	51	51	51	51
2	59	56	54	52	58	55	53	51	53	52	50	52	50	49	50	49	48	47	47	47	47
3	56	52	49	47	54	51	48	46	50	47	46	48	46	45	47	46	44	43	43	43	43
4	52	48	45	42	51	47	44	42	46	44	42	45	43	41	44	42	41	40	40	40	40
5	49	44	41	38	48	44	41	38	43	40	38	42	39	37	41	39	37	36	36	36	36
6	46	41	38	35	46	41	37	35	40	37	35	39	36	34	38	36	34	33	33	33	33
7	44	38	34	32	43	38	34	32	37	34	32	36	33	31	36	33	31	30	30	30	30
8	41	35	31	29	40	35	31	29	34	31	29	33	30	28	33	30	28	27	27	27	27
9	38	32	28	26	37	32	28	26	31	28	26	31	28	26	30	27	25	25	25	25	25
10	35	29	26	23	35	29	26	23	29	25	23	28	25	23	28	25	23	22	22	22	22



Photometric Information

Product Number: 6VF142E1/6002SCL
Frame In Kit: 6" Vertical Mount Fluorescent
Reflector: 6" Vertical Clear "Alzak" Reflector
LTL Test Number: 05654
Lamp(s) Source: (1) 42W PLT 4pin lamp rated at 3200 lumens
Total Luminaire Efficiency: 54.0%
CIE Type: Direct
Luminaire Spacing Criterion: 1.1
Luminous Diameter: 6.0

Zonal Lumen Summary

ZONE	LUMENS	%LAMP	%FIXTURE
0- 30	757	23.7	43.8
0- 40	1167	36.5	67.5
0- 60	1699	53.1	98.2
0- 90	1729	54.0	100.0
90-180	0	0.0	0.0
0-180	1729	54.0	100.0

Cone of Light

Ft. Below	Fc Nadir	Dia @50%
6.0	29.7	6.7
8.0	16.7	8.9
10.0	10.7	11.1
12.0	7.4	13.4
14.0	5.5	15.6
16.0	4.2	17.8

Coefficients of Utilization

FC	80				70				50				30				10				0
	70	50	30	10	70	50	30	10	50	30	10	50	30	10	50	30	10	50	30	10	
0	64	64	64	64	63	63	63	63	60	60	60	57	57	57	55	55	55	54			
1	61	59	58	56	59	58	57	55	56	55	54	54	53	52	52	51	50	49			
2	57	54	52	50	56	53	51	49	51	50	48	50	48	47	48	47	46	45			
3	54	50	46	44	53	49	46	44	47	45	43	46	44	42	45	43	42	41			
4	50	45	42	39	49	45	41	39	43	41	38	42	40	38	41	39	37	37			
5	47	41	38	35	46	41	37	35	40	37	34	39	36	34	38	35	34	33			
6	44	38	34	31	43	37	34	31	36	33	31	36	33	31	35	32	30	29			
7	41	34	31	28	40	34	30	28	33	30	28	33	30	27	32	29	27	26			
8	38	31	27	25	37	31	27	25	30	27	24	30	27	24	29	26	24	23			
9	35	28	24	22	34	28	24	22	27	24	22	27	24	22	26	24	21	21			
10	32	26	22	20	32	26	22	19	25	22	19	25	22	19	24	21	19	18			

