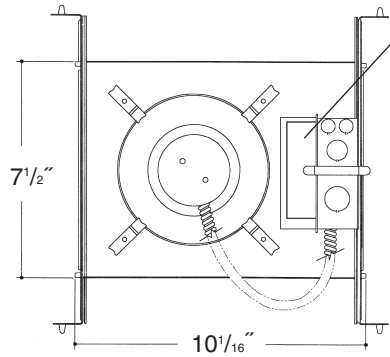


# C o m m e r c i a l G r a d e

Job Name \_\_\_\_\_

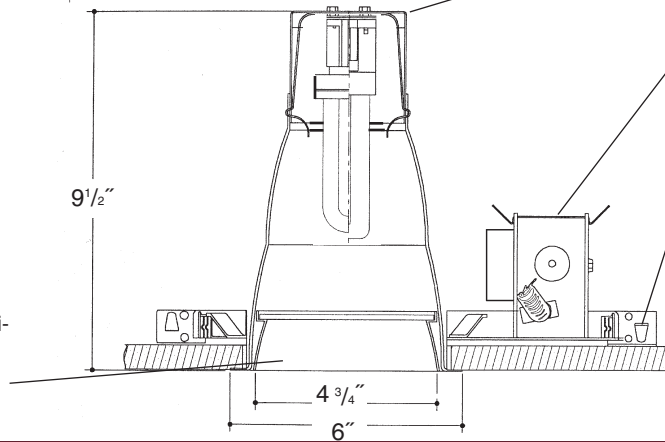
Type \_\_\_\_\_



Electronic ballast, Class P, 50/60 HZ-120/277, Programmed Start, thermally protected, 98% Power Factor, 1.00 Ballast Factor, <10% THD, Class A sound rated. Minimum starting temperature -18°C/0°F.  
Magnetic ballast, High Power Factor, thermally protected, minimum starting temperature 10°C/50°F.  
*UL Listed component.*

**5" V.F. 1 LT DEEP LENSED**

Heavy gauge spun aluminum low iridescent reflector with self trimming flanged splay/lens holder and white painted flange. Polished Flange available. Safety chain provided.



Aluminum socket cup with spring steel snap-in clips for fast assembly. *UL Listed* socket.

Heavy gauge electrogalvanized steel junction box, prewired and grounded with easy access from below. Listed for through branch circuit wiring.

Electrogalvanized steel frame components with spring steel reflector clips for fast assembly of reflector. Innovative, rigid bar hangers incorporate formed cross sections, joist positioning tabs, integral nails, auxiliary nailholes, T-Bar slots and holes for locking bars to T-Bar using #8 self-tapping screws (by others). Bars extend 14"-24". Frame will also accept Caddy Bar #517B for fast installation in drop-in ceilings, bars extend 27".

## Rough in Kit – 5" Vertical Fluorescent 1-Lamp (Compact Fluorescent Quad or Triple Tube)

Catalog Number **5VF1** \_\_\_\_\_

5VF1	Wattage	Ballast	Voltage	Options
	18W MAX. DTT, PLT 13*W DTT	E H DA DL	1 2 3 4	EM F R

Ballast	
<b>E</b>	Electronic (4 Pin Lamp)
<b>H</b>	High Power Factor (2 Pin Lamp)
<b>DA</b>	Dimming - Advance Mark X (4 Pin Lamp)
<b>DL</b>	Dimming - Lutron (4 Pin Lamp)
<b>*</b>	13 Watt Advance Mark VII Only (4 Pin Lamp)
Voltage	
<b>1</b>	120 Volts
<b>2</b>	277 Volts
<b>3</b>	347 Volts (Electronic Ballast Only)
<b>4</b>	208 Volts (Electronic Ballast Only)
Options ▲	
<b>EM</b>	Emergency Battery
<b>F</b>	Fused
<b>R</b>	Remodeler

**2-Lamp Not Available in Triple Tube**

**2-Lamp – Replace 5VF1 with 5VF2**

Electronic Multi-Tap Ballast 120V Thru 277V Factory Standard

## Finishing Kit – 5" Vertical Fluorescent Deep Lensed Reflector – clear reflector standard with White Splay and self trim flange

Catalog Number **55** \_\_\_\_\_

55	Lens	Finish	Options
	5511 - Tempered Clear Lens 5514 - Tempered Prismatic Lens (C73 Pattern) 5516 - Fresnel Lens	SCL SGO WHT	PF DGSK

Finish (Factory Standard)

<b>SCL</b>	Specular Clear "Alzak" Splay with White Flange
<b>SGO</b>	Specular Gold "Alzak" Splay with White Flange
<b>WHT</b>	White Splay with White Flange

Options ▲

<b>PF</b>	High Polished Flange
<b>DGSK</b>	Neoprene Foam Double Gasketing

### Features

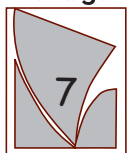
Manufactured and Listed to UL 1598, ETL and CSA standards.  
Suitable for Damp Locations  
Wet location under covered ceiling



▲ See Options and Finishes pages for a list of additional finishes and equipment.

Vantage reserves the right to change components, finishes or design details in any manner which does not alter the installed appearance or reduce performance and intended function.

Vantage



Luminaires

76 Community Avenue Plainfield, CT 06374  
voice (860)564.4512 fax (860)564.4854  
www.vantageitg.com

08/08