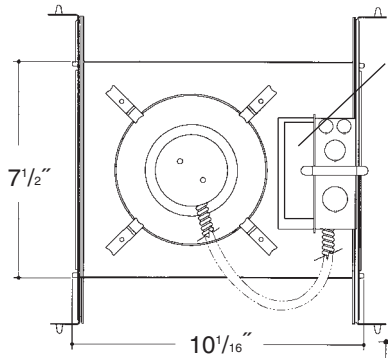


# C o m m e r c i a l G r a d e

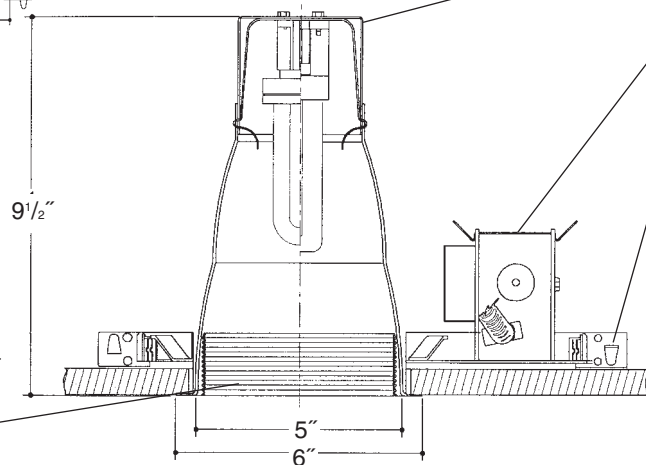
Job Name \_\_\_\_\_

Type \_\_\_\_\_



Electronic ballast, Class P, 50/60 HZ-120/277, Programmed Start, thermally protected, 98% Power Factor, 1.00 Ballast Factor, <10% THD, Class A sound rated. Minimum starting temperature -18°C/0°F.  
Magnetic ballast, High Power Factor, thermally protected, minimum starting temperature 10°C/50°F.  
*UL Listed component.*

## 5" V.F. 1 LT OPEN DEEP BAFFLED



Heavy gauge spun aluminum deep low iridescent reflector with multi-groove baffle and self trimming white painted flange. Polished Flange available.

Aluminum socket cup with spring steel snap-in clips for fast assembly.  
*UL Listed socket.*

Heavy gauge electrogalvanized steel junction box, prewired and grounded with easy access from below. Listed for through branch circuit wiring.

Electrogalvanized steel frame components with spring steel reflector clips for fast assembly of reflector. Innovative, rigid bar hangers incorporate formed cross sections, joist positioning tabs, integral nails, auxiliary nailholes, T-Bar slots and holes for locking bars to T-Bar using #8 self-tapping screws (by others). Bars extend 14"-24". Frame will also accept Caddy Bar #517B for fast installation in drop-in ceilings, bars extend 27".

### Rough in Kit – 5" Vertical Fluorescent 1-Lamp (Compact Fluorescent Quad or Triple Tube)

Catalog Number **5VF1**

5VF1	Wattage	Ballast	Voltage	Options
	42W MAX. PLT	E	1	EM
	32W PLT	H	2	F
	26W DTT, PLT	DA	3	R
	18W DTT, PLT	DL	4	EMI
	13"W DTT			

Ballast		
E	Electronic	(4 Pin Lamp)
H	High Power Factor	(2 Pin Lamp)
DA	Dimming - Advance Mark X	(4 Pin Lamp)
DL	Dimming - Lutron	(4 Pin Lamp)
*	13 Watt Advance Mark VII Only	(4 Pin Lamp)
Voltage		
1	120 Volts	
2	277 Volts	
3	347 Volts (Electronic Ballast Only)	
4	208 Volts (Electronic Ballast Only)	
Options ▲		
EM	Emergency Battery	
F	Fused	
R	Remodeler	
EMI	Internal Mounted Emergency Test Switch	

2-Lamp Not Available in Triple Tube

2-Lamp – Replace 5VF1 with 5VF2

Electronic Multi-Tap Ballast 120V Thru 277V Factory Standard

### Finishing Kit – 5" Vertical Fluorescent Deep Open Baffled Reflector

Catalog Number **5550**

5550	Finish	Options
	SCL/BL	PF
	SGO/BL	GSK
	SCL/WH	
	SGO/WH	
	WHT/WH	
	WHT/BL	

Finish (Factory Standard)

<b>SCL/BL</b>	Specular Clear "Alzak" with White Flange and Black Baffle
<b>SGO/BL</b>	Specular Gold "Alzak" with White Flange and Black Baffle
<b>SCL/WH</b>	Specular Clear "Alzak" with White Flange and White Baffle
<b>SGO/WH</b>	Specular Gold "Alzak" with White Flange and White Baffle
<b>WHT/WH</b>	White Reflector with White Flange and White Baffle
<b>WHT/BL</b>	White Reflector with White Flange and Black Baffle

Options ▲

<b>PF</b>	High Polished Flange
<b>GSK</b>	Neoprene Foam Single Gasketing

### Features

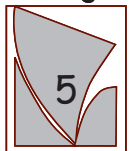
Manufactured and Listed to UL 1598, ETL and CSA standards.  
Suitable for Damp Locations  
Wet location under covered ceiling



▲ See Options and Finishes pages for a list of additional finishes and equipment.

Vantage reserves the right to change components, finishes or design details in any manner which does not alter the installed appearance or reduce performance and intended function.

Vantage



Luminaires

76 Community Avenue Plainfield, CT 06374

voice (860)564.4512 fax (860)564.4854

www.vantageitg.com

06/07

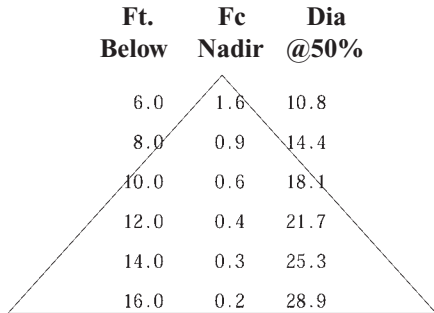
# Photometric Information

**Product Number:** 5VF113E1/5550SCL/BL  
**Frame In Kit:** 5" Vertical Mount Quad Tube Fluorescent  
**Reflector:** 5" Vertical Tall Clear "Alzak" Reflector with Black Baffle  
**LTL Test Number:** 06659  
**Lamp(s) Source:** (1) 13W 4pin lamp rated at 900 lumens  
**Total Luminaire Efficiency:** 21.2%  
**CIE Type:** Direct  
**Luminaire Spacing Criterion:** 1.8/1.8  
**Luminous Diameter:** 4.875

### Zonal Lumen Summary

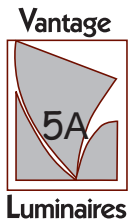
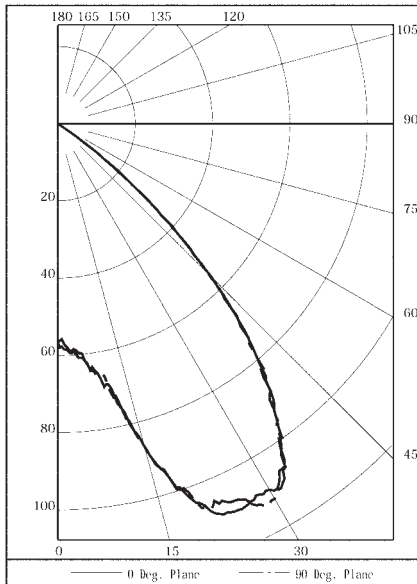
ZONE	LUMENS	%LAMP	%FIXTURE
0- 30	82	9.1	43.1
0- 40	143	15.9	74.7
0- 60	191	21.2	100.0
0- 90	191	21.2	100.0
90-180	0	0.0	0.0
0-180	191	21.2	100.0

### Cone of Light



### Coefficients of Utilization

RC	80				70				50				30				10				0
RW	70	50	30	10	70	50	30	10	50	30	10	50	30	10	50	30	10	50	30	10	0
0	25	25	25	25	25	25	25	25	24	24	24	23	23	23	22	22	22	22	22	22	0
1	24	23	23	22	23	23	22	22	22	22	21	21	21	21	20	20	20	20	20	20	0
2	23	21	21	20	22	21	20	19	20	20	19	20	19	19	19	19	18	18	18	18	0
3	21	20	19	18	21	19	18	17	19	18	17	18	17	17	17	17	17	17	17	16	0
4	20	18	17	16	19	18	17	16	17	16	15	17	16	15	16	16	15	15	15	15	0
5	19	17	15	14	18	16	15	14	16	15	14	16	14	14	15	14	14	13	13	13	0
6	17	15	14	13	17	15	14	13	15	13	12	14	13	12	14	13	12	12	12	12	0
7	16	14	12	11	16	14	12	11	13	12	11	13	12	11	13	12	11	11	11	11	0
8	15	12	11	10	15	12	11	10	12	11	10	12	11	10	12	11	10	10	10	9	0
9	14	11	10	9	13	11	10	9	11	10	9	11	9	9	10	9	8	8	8	8	0
10	13	10	9	8	12	10	9	8	10	9	8	10	8	8	9	8	8	7	7	7	0

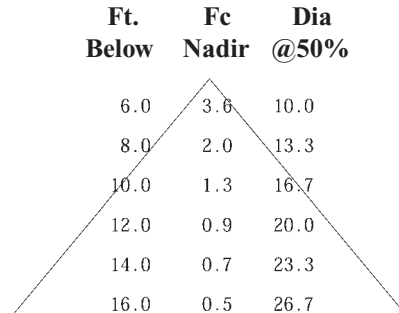


**Product Number:** 5VF213E1/5550SCL/BL  
**Frame In Kit:** 5" Vertical Mount Quad Tube Fluorescent  
**Reflector:** 5" Vertical Tall Clear "Alzak" Reflector with Black Baffle  
**LTL Test Number:** 06655  
**Lamp(s) Source:** (2) 13W 4pin lamps rated at 900 lumens  
**Total Luminaire Efficiency:** 19.4%  
**CIE Type:** Direct  
**Luminaire Spacing Criterion:** 1.7/1.6  
**Luminous Diameter:** 4.875

### Zonal Lumen Summary

ZONE	LUMENS	%LAMP	%FIXTURE
0- 30	156	8.7	44.8
0- 40	260	14.5	74.7
0- 60	348	19.4	100.0
0- 90	348	19.4	100.0
90-180	0	0.0	0.0
0-180	348	19.4	100.0

### Cone of Light



### Coefficients of Utilization

RC	80				70				50				30				10				0
RW	70	50	30	10	70	50	30	10	50	30	10	50	30	10	50	30	10	50	30	10	0
0	23	23	23	23	23	23	23	23	22	22	22	21	21	21	20	20	20	19	19	19	0
1	22	21	21	20	21	21	20	20	20	20	19	19	19	19	19	18	18	18	18	18	0
2	21	20	19	18	20	19	18	17	19	18	17	18	17	17	17	17	17	17	17	16	0
3	19	18	17	16	19	18	17	16	17	16	16	17	16	16	16	16	16	16	16	15	0
4	18	17	15	14	18	16	15	14	16	15	14	16	15	14	15	14	14	14	14	14	0
5	17	15	14	13	17	15	14	13	15	14	13	14	13	13	14	13	13	13	13	12	0
6	16	14	13	12	16	14	13	12	14	12	12	13	12	12	13	12	12	12	12	11	0
7	15	13	11	10	15	13	11	10	12	11	10	12	11	10	12	11	10	10	10	10	0
8	14	12	10	9	14	11	10	9	11	10	9	11	10	9	11	10	9	9	9	9	0
9	13	10	9	8	12	10	9	8	10	9	8	10	9	8	10	9	8	8	8	8	0
10	12	9	8	7	12	9	8	7	9	8	7	9	8	7	9	8	7	7	7	7	0

