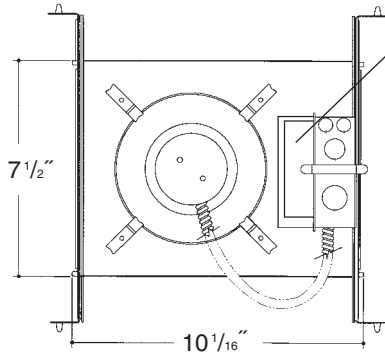


C o m m e r c i a l G r a d e

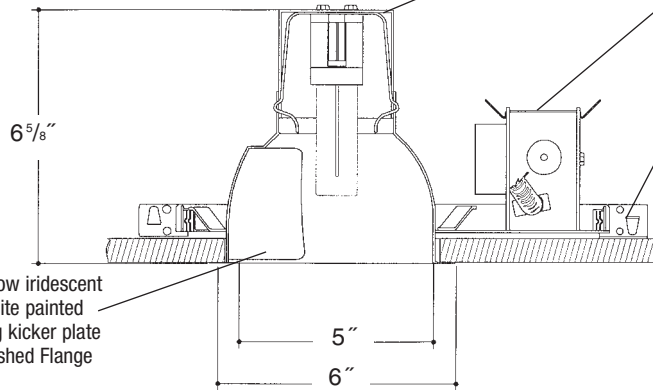
Job Name _____

Type _____



Electronic ballast, Class P, 50/60 HZ-120/277, Programmed Start, thermally protected, 98% Power Factor, 1.00 Ballast Factor, <10% THD, Class A sound rated. Minimum starting temperature -18°C/0°F.
Magnetic ballast, High Power Factor, thermally protected, minimum starting temperature 10°C/50°F.
UL Listed component.

5" V.F. 1 LT OPEN WALL WASH



Heavy gauge spun aluminum low iridescent reflector with self trimming white painted flange. Aluminum wall washing kicker plate in a bright dip clear finish. Polished Flange available.

Aluminum socket cup with spring steel snap-in clips for fast assembly. *UL Listed* socket.

Heavy gauge electrogalvanized steel junction box, prewired and grounded with easy access from below. Listed for through branch circuit wiring.

Electrogalvanized steel frame components with spring steel reflector clips for fast assembly of reflector. Innovative, rigid bar hangers incorporate formed cross sections, joist positioning tabs, integral nails, auxiliary nailholes, T-Bar slots and holes for locking bars to T-Bar using #8 self-tapping screws (by others). Bars extend 14"-24". Frame will also accept Caddy Bar #517B for fast installation in drop-in ceilings, bars extend 27".

Rough in Kit – 5" Vertical Fluorescent 1-Lamp (Compact Fluorescent Quad Tube)

Catalog Number **5VF1** _____

5VF1	Wattage	Ballast	Voltage	Options
	13W MAX. DTT	E H DA7	1 2 3 4	EM F R EMI

Ballast

E	Electronic	(4 Pin Lamp)
H	High Power Factor	(2 Pin Lamp)
DA7	Dimming - Advance Mark VII	(4 Pin Lamp)

Voltage

1	120 Volts
2	277 Volts
3	347 Volts (Electronic Ballast Only)
4	208 Volts (Electronic Ballast Only)

Options ▲

EM	Emergency Battery
F	Fused
R	Remodeler
EMI	Internal Mounted Emergency Test Switch

2-Lamp – Replace 5VF1 with 5VF2

Electronic Multi-Tap Ballast 120V Thru 277V Factory Standard

Finishing Kit – 5" Vertical Fluorescent Open Reflector Downlight Wall Washer

Catalog Number **5310** _____

5310	Finish	Options
	SCL SGO	PF GSK

Finish (Factory Standard)

SCL	Specular Clear "Alzak" with White Flange
SGO	Specular Gold "Alzak" with White Flange

Options ▲

PF	High Polished Flange
GSK	Neoprene Foam Single Gasketing

Features

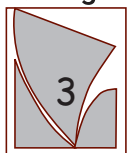
Manufactured and Listed to UL 1598, ETL and CSA standards.
Suitable for Damp Locations
Wet location under covered ceiling



▲ See Options and Finishes pages for a list of additional finishes and equipment.

Vantage reserves the right to change components, finishes or design details in any manner which does not alter the installed appearance or reduce performance and intended function.

Vantage



Luminaires

76 Community Avenue Plainfield, CT 06374
voice (860)564.4512 fax (860)564.4854
www.vantageitg.com

06/07