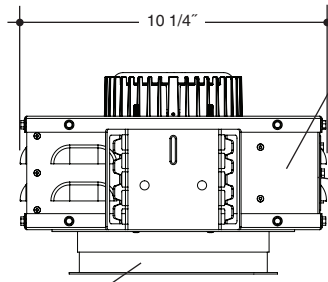


A r c h i t e c t u r a l L E D

Job Name _____

Type _____



Heavy gauge electrogalvanized steel junction box, prewired and grounded with easy access from below. Listed for through branch circuit wiring.

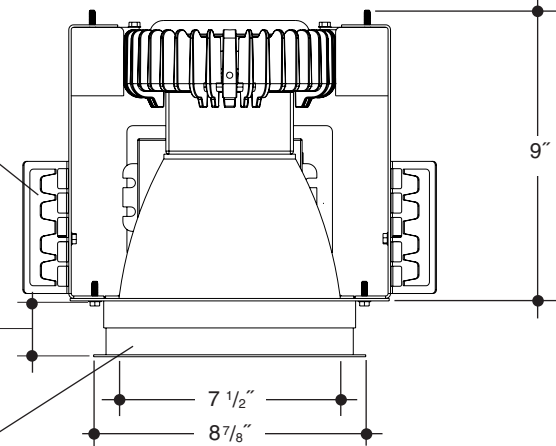
Housing is formed of heavy gauge electrogalvanized steel with integral venting for cool operation and extended lamp life.

Heavy gauge spun aluminum straight cut "Alzak" cone. Internal heat treated spring steel clips hold reflector tight to ceiling. White painted flange. Polished Flange available.

Adjustable height electrogalvanized plated steel mounting ears with cutouts for various mounting methods. Standard bars (included) are innovative and incorporate rigid formed cross sections, joist positioning tabs, integral nails, auxiliary nailholes, T-Bar slots and holes for locking bars to T-Bar using #8 self-tapping screws (by others). Bars extend 14"-24". Ears will also accept Caddy Bar #520 for fast installation in T-Bar ceilings, bars extend 27".

1 1/4" MAX.
Ceiling
Thickness

Insulation must be kept 3" away from fixture. Listed for damp locations.



8" LED ENCLOSED ROUND

Nuventix Synjet Thermal Management System*
Nuventix Synjet goes beyond the standard heat sink. Quiet fanless air-jets precisely direct high velocity air across surface to efficiently dissipate heat, causing rapid heat transfer away from surface.

- Benefits:**
- Increased thermal efficiency
 - Effectively silent operation
 - High reliability – no frictional parts
 - Low power consumption
 - Small but efficient active thermal management
 - UL, CE & ENEC Approval

Philips Fortimo LED DLM/Driver
Integrated Solid State LED System in 1100 and 2000 Lumen options with efficacy of up to 62 Lm/watt, Future-proof, fixed white light.

- Benefits:**
- Excellent color consistency
 - Up to 62 Lm./watt, CRI≥80
 - L70 to 50,000 hours
 - Output: Voltage 25-56V, Current 200-700ma
 - Dimmable 0-10V (Advance Mark VII compatible dimmer)
 - Input volts 120-277V
 - Long Life 50,000 hours

*Nuventix Synjet system partnered with Philips Fortimo LED DLM

Rough In Kit – 8" Round Aperture Solid State Recessed LED

Catalog Number _____

	Voltage	Lumens	Kelvin	Options
A8VLED	1	1100L	3000K	EM
	2	1300L	3500K	
		2000L	4000K	

Options
EM Emergency, Bodine BLS17C (specify voltage)

Lumens	Kelvin	Wattage
1100L	3000K	19W
1100L	3500K	18W
1100L	4000K	17W
1300L	3000K	24W
1300L	3500K	23W
1300L	4000K	22W
2000L	3000K	36W
2000L	3500K	34W
2000L	4000K	33W

Finishing Kit – 8" Enclosed Reflector with Regressed Prismatic Lens, White Flange Standard

Catalog Number **L8014**

L8014	Finish	Options
	SCL	PF
	SGC	WL
	WHT	

Finish (Factory Standard)
SCL Specular Clear "Alzak"
SGC Soft Glow Clear "Alzak" (Semi-Spec)
WHT White with White Flange

Options ▲
PF High Polished Flange
WL Wet Location

Features

Manufactured and Listed to UL 1598, ETL and CSA standards.
Suitable for Damp Locations
Wet Location Under Covered Ceiling

▲ See Options and Finishes pages for a list of additional finishes and equipment.

Vantage reserves the right to change components, finishes or design details in any manner which does not alter the installed appearance or reduce performance and intended function.

