

Installation Instructions

CAUTION! IMPORTANT INSTRUCTIONS

CAUTION! IMPORTANT INSTRUCTIONS

THE FOLLOWING RULES MUST BE ADHERED TO WHEN INSTALLING LIGHT FIXTURES. IF YOU HAVE ANY DOUBTS ABOUT HOW TO INSTALL A LIGHT FIXTURE OR IF IT FAILS TO WORK PROPERLY, CONTACT A LOCAL LICENSED ELECTRICIAN.

FAILURE TO COMPLY WITH THESE REQUIREMENTS COULD LEAD TO AN ELECTRICAL SHOCK OR FIRE, WHICH COULD BE INJURIOUS OR EVEN FATAL.

MAKE CERTAIN:

1. POWER AT THE MAIN FUSE BOX IS DISCONNECTED BEFORE INSTALLING THE FIXTURE.
2. THE FIXTURE GROUND WIRE (BARE OR GREEN INSULATED WIRE) IS NOT CONNECTED TO CURRENT CARRYING SUPPLY WIRES. (SOME FIXTURES MAY OR MAY NOT HAVE A GROUND WIRE)
3. NO BARE WIRES ARE EXPOSED OUTSIDE THE WIRE CONNECTORS WHEN JOINING CURRENT CARRYING WIRES.
4. THE INSULATION ON ANY OF THE WIRES HAS NOT BEEN DAMAGED DURING INSTALLATION.
5. NO ROUGH OR SHARP EDGES ARE IN CONTACT WITH ANY OF THE WIRES.
6. FIXTURE WIRES ARE CONNECTED TO THE PROPER HOUSE SUPPLY WIRES. IF YOU HAVE ANY DOUBTS ABOUT WHICH HOUSE WIRE IS WHITE AND WHICH IS BLACK, CONTACT A LICENSED ELECTRICIAN.
7. LIGHT BULBS WITH WATTAGES NO GREATER THAN THOSE SPECIFIED FOR THE FIXTURE USED.
8. POWER IS OFF WHEN INSTALLING LIGHT BULB INTO THE FIXTURE.

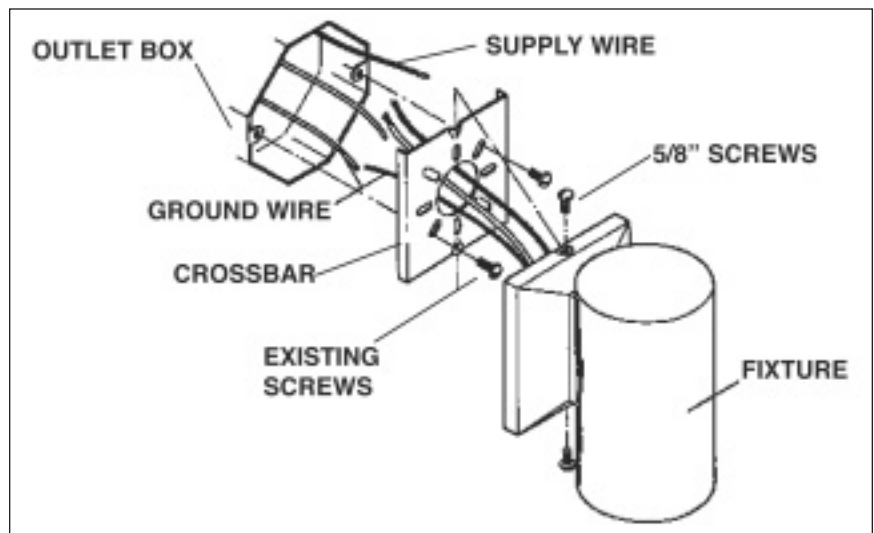
REMEMBER: THAT A FUSE OR CIRCUIT BREAKER PROTECTS WIRES FROM BECOMING OVERHEATED. OVERHEATED WIRES CREATE AN OVERLOAD, AND THE FUSE WILL BLOW OR CIRCUIT BREAKER WILL TRIP. BEFORE REPLACING THE FUSE OR RESETTING THE CIRCUIT BREAKER, LOCATE THE CAUSE OF THE OVERLOAD, USUALLY TOO MANY APPLIANCES ON THE SAME LINE OR A SHORT CIRCUIT.

Assembly and Installation

1. PULL SUPPLY WIRES OUT OF OUTLET BOX
2. FASTEN CROSSBAR TO OUTLET BOX WITH EXISTING SCREWS.
3. CONNECT FIXTURE GROUND WIRE TO SUPPLY GROUND WIRE. IF YOU DO NOT HAVE A GROUND WIRE COMING OUT OF THE OUTLET BOX CONSULT YOUR LOCAL ELECTRICAL CODE.
4. CONNECT THE WHITE, MARKED OR RIBBED FIXTURE WIRE TO THE WHITE SUPPLY WIRE. (RIBBED WIRE IS DISTINGUISHABLE BY RAISED LINES ON THE WIRE JACKET.) TWIST WIRE ENDS TOGETHER AND SCREW ON A WIRE NUT CONNECTOR.
5. CONNECT THE BLACK, UNMARKED OR SMOOTH FIXTURE WIRE TO THE BLACK SUPPLY WIRE IN THE SAME MANNER.
6. POSITION FIXTURE BODY OVER OUTLET BOX AND SECURE TO CROSSBAR USING 5/8" SCREWS PROVIDED.
7. INSTALL LAMP(S) (NOT PROVIDED). RECONNECT ELECTRICAL POWER.

FOR WET LOCATION FIXTURES

If mounted where the fixture is exposed to any moisture, use the proper type of sealant around the edges of the canopy to prevent any water from entering the wire housing. The manufacturer recommends a non-drying sealant, such as a clear silicone caulking.



▲ See Options and Finishes pages for a list of additional finishes and equipment.

Vantage reserves the right to change components, finishes or design details in any manner which does not alter the installed appearance or reduce performance and intended function.

76 Community Avenue Plainfield, CT 06374
voice (860)564.4512 fax (860)564.4854
www.vantageltg.com

04/08

