

VANTAGE LIGHTING VANDAL RESISTANT

Vantage Lighting's Vandal Resistant fixtures provide an attractive yet secure solution for your high-abuse lighting needs. Captive stainless-steel tamperproof screws secure the gasketed machined aluminum trim directly to the frame. For use in schools, hospitals, prisons, or wherever vandalism may occur.

Housing

- Electrogalvanized plated steel frame.
- Suitable for damp and wet location under covered ceiling.

Ballast

- Electronic ballast, Class P, 50/60 HZ-120/277, Programmed Start, thermally protected, 98% Power Factor, 1.00 Ballast Factor, <10% THD, Class A sound rated. Minimum starting temperature -18°C/0°F. UL Listed component.

Reflector

- Heavy gauge spun aluminum low iridescent reflector with vandal resistant lens holder and stepped trim ring. Polycarbonate lens is silicone sealed and supplied with seated neoprene foam gasketing. Captive, stainless steel, tamper-resistant screws included for vandal resistance. Yoke supported reflector.

Stepped Trim

- Machined aluminum stepped trim. Standard finishes white, black, bronze, silver. Custom colors also available.
- Fully gasketed and secured to frame with captive stainless steel tamperproof screws.



76 Community Avenue
Plainfield, CT 06374
voice (860) 564.4512
fax (860) 564.4854
www.vantageltg.com



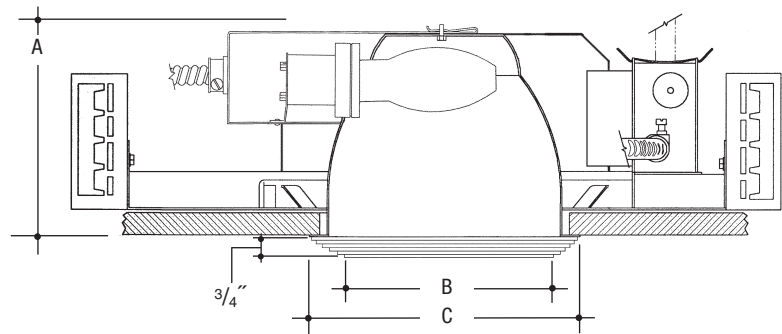
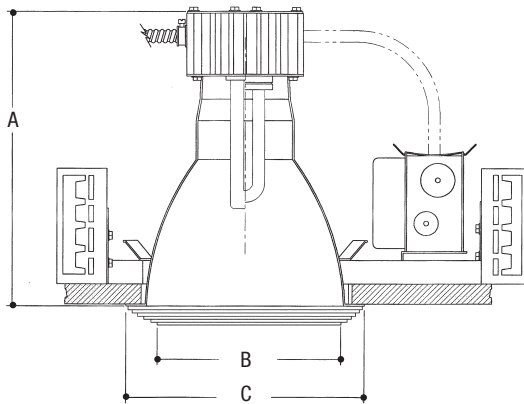
Features

Manufactured and Listed to UL 1598, ETL and CSA standards.
Suitable for Damp Locations.
Wet location under covered ceiling.

VANTAGE LIGHTING VANDAL RESISTANT

Features

- Electrogalvanized plated steel frame.
- Heavy gauge spun aluminum reflector with vandal resistant lens holder and stepped trim ring.
Lens is silicone sealed and supplied with seated neoprene foam gasketing. Threaded tamper-resistant captive screws included for vandal resistance.
- Machined aluminum stepped trim. Standard finishes white, black, bronze and silver.
Custom colors also available.



Vandal Resistant – Sizes

8" Horizontal – CFL	8" Shallow – CFL	8" Vertical – CFL	8" Horizontal – HID	8" Vertical – HID	8" Horizontal – INC	8" Vertical – INC
A 6 1/2"	A 4 3/4"	A 8 3/8"	A 7 1/2"	A 9 1/4"	A 7 1/2"	A 11"
B 6 5/8"	B 6 5/8"	B 6 5/8"	B 6 5/8"	B 6 5/8"	B 6 5/8"	B 6 5/8"
C 9 1/2"	C 9 1/2"	C 9 1/2"	C 9 1/2"	C 9 1/2"	C 9 1/2"	C 9 1/2"

Series	Size	Type	Lamp	Wattage	Ballast	Options	Frame In Kit
VVR							
VR	8	HF SHF VF MHE MHE-HOR INC INC-HOR	1 2*	CFL HID 13DTT 50 18DTT, PLT 70 26DTT, PLT 100 32PLT 150 42PLT	E1/2 - Electronic 120/277V DA1 - Advance Mark X 120V DA2 - Advance Mark X 277V DA7 - Advance Mark VII 120/277V DL1 - Lutron Compact SE 120V DL2 - Lutron Compact SE 277V	F - Fusing PR - Plaster Ring 277VSD - Step Down Transformer (INC Only)	

* 2 Lamp not available in PLT, HID or INC.

Lens	Reflector Finish	Stepped Trim Finish	Reflector Kit
11 - Clear Tempered 11P - Clear Polycarbonate 14 - Prismatic Tempered 14P - Prismatic Polycarbonate 16 - Fresnel	SCL - Specular Clear "Alzak" Splay SGO - Specular Gold "Alzak" Splay WHT - White Splay	WHT - Matte White Polyester Powder Coat BLK - Matte Black Polyester Powder Coat BZ - Bronze Polyester Powder Coat CS - Silver Polyester Powder Coat CC - Custom Color (Consult Factory w/RAL#)	Fixture Type HF - Horizontal Compact Fluorescent SHF - Shallow Horizontal Compact Fluorescent VF - Vertical Compact Fluorescent MHE - Metal Halide Enclosed MHE-HOR - Metal Halide Enclosed Horizontal INC - Incandescent INC-HOR - Incandescent Horizontal