

VANTAGE LIGHTING

LUNA SERIES

Vantage's Luna Series illuminates your space with a natural, serene and inviting glow.

Socket Housing

- Aluminum heat sink socket cup with Zinc plated steel hardware and spring steel clips for fast assembly. UL Listed socket.

Ballast

- Electronic ballast, Class P, 50/60 HZ-120/277, Programmed Start, thermally protected, 98% Power Factor, 1.00 Ballast Factor, <10% THD, Class A sound rated. Minimum starting temperature -18°C/0°F. UL Listed component.

Reflector

- Heavy gauge spun aluminum horizontal or vertical reflector with self trimming flanged splay/lens holder with white flange. 8 ¹⁵/₁₆" borosilicate crystal glass, sandblasted on the outside, 2 ¹/₂" OAL below ceiling line.

Junction Box

- Heavy gauge electrogalvanized steel junction box, prewired and grounded with easy access from below, listed for through branch circuit wiring.

Frame

- Electrogalvanized plated steel frame with yoke to securely hold reflector and glass in place.

Also available in HID and INC fixtures.



Vantage Lighting
76 Community Avenue
Plainfield, CT 06374
voice (860) 564.4512
fax (860) 564.4854
www.vantageltg.com



Features

Manufactured and Listed to UL 1598, ETL and CSA standards.
Suitable for Damp Locations.

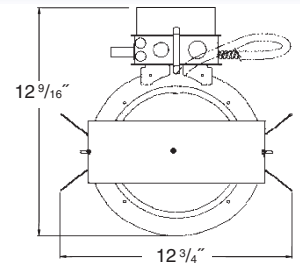
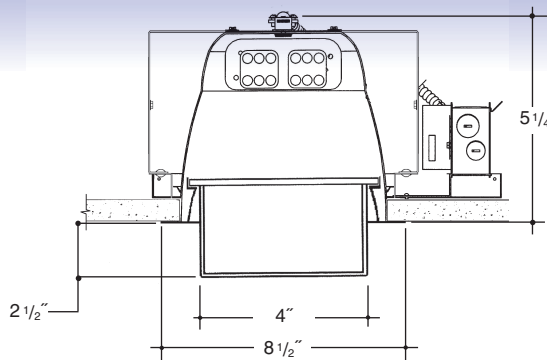
Wet location under covered ceiling.

VANTAGE LIGHTING

LUNA

Features - Horizontal

- Universal socket/ballast combination for flexibility in any lighting application
- Yoke securely holds reflector and glass in place
- Heavy duty spun aluminum reflector with white flange standard



Frame In Kit

Series	Size	Lamp Mounting	Lamp	Wattage	Ballast	Options
A	7	HF	1	18 DTT, PLT*	E1/2 - Electronic 120/277 Volt	EM - Emergency Battery
A	7	HF Horizontal Fluorescent	1 2	26 DTT, PLT* 32 PLT* 42 PLT*	DA1 - Advance Mark X 120V DA2 - Advance Mark X 277V DLECO - Lutron EcoSystem 120/277 Volt	F - Fused

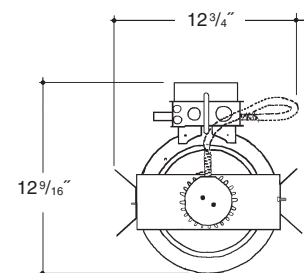
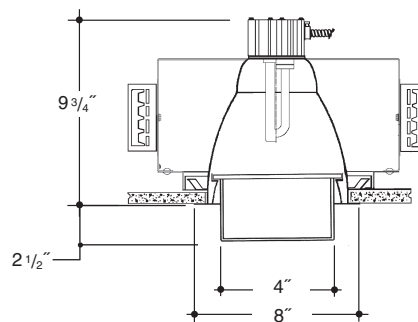
* 1-Lamp MAX for PLT

Reflector Kit

Series	Reflector	Glass	Finish	Options
VGC	761-	4x2.5		
VGC	761-	4x2.5	SCL - Clear "Alzak" SGC - Soft Glow "Alzak" WHT - White	PF - High Polished Flange

Features - Vertical

- Universal socket/ballast combination for flexibility in any lighting application
- Yoke securely holds reflector and glass in place
- Heavy duty spun aluminum reflector with white flange standard



Frame In Kit

Series	Size	Lamp Mounting	Lamp	Wattage	Ballast	Options
A	7	VF	1	18 DTT, PLT	E1/2 - Electronic 120/277 Volt	EM - Emergency Battery
A	7	VF Vertical Fluorescent	1	26 DTT, PLT 32 PLT 42 PLT	DA1 - Advance Mark X 120V DA2 - Advance Mark X 277V DLECO - Lutron EcoSystem 120/277 Volt	F - Fused

Reflector Kit

Series	Reflector	Glass	Splay	Options
VGC	721-	4x2.5		
VGC	721-	4x2.5	SCL - Clear "Alzak" SGC - Soft Glow "Alzak" WHT - White	PF - High Polished Flange