

VANTAGE LIGHTING

LED SOLID STATE LIGHTING

Vantage Lighting's LED System uses the Philips Fortimo platform and the Nuventix Synjet Thermal Management System*.

Benefits of Vantage LED lighting:

- **50,000 Hour Life**
 - Lower Maintenance Costs
- **Remote Phosphor Technology**
 - Improves white LED output
 - Very high optical efficiencies
- **Environmentally Safe**
 - Free of UV & IR Radiation Mercury Free
- **Future Proof**
 - Designed to meet future LED technology needs

As LED lighting is continually improving and changing, visit www.philips.com/fortimo for accurate specifications.

Philips Fortimo LED Driver

Philips Fortimo LED Downlight module (DLM) and driver integrated solid state LED system designed specifically for downlighting available in 1100, and 2,000 lumen (3,000 available 2nd half of 2011).

Benefits:

- Excellent color consistency
- Up to 62 Lm./watt, CRI≥80
- L70 to 50,000 hours
- Output: Voltage 25-56V, Current 200-700ma
- Dimmable 0-10V
(Advance Mark VII compatible dimmer)
- Input volts 120-277V
- Long Life 50,000 hours

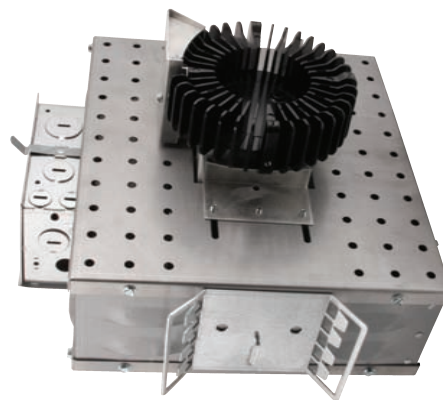
Nuventix Synjet® Thermal Management System*

Nuventix Synjet® active thermal management solution offers over 100,000 hours of efficient, silent thermal cooling. Designed specifically to work with the Philip Fortimo DLM.

Benefits:

- Increased thermal efficiency
- Effectively silent operation
- High reliability – no frictional parts
- Low power consumption
- Small but efficient thermal management
- UL, CE & ENEC Approval

*Nuventix Synjet® system partnered with Philips Fortimo LED DLM



Vantage Lighting
76 Community Avenue
Plainfield, CT 06374
voice (860) 564.4512
fax (860) 564.4854
www.vantageltg.com

Features

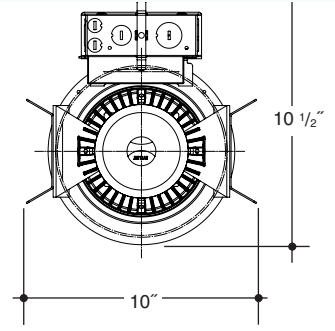
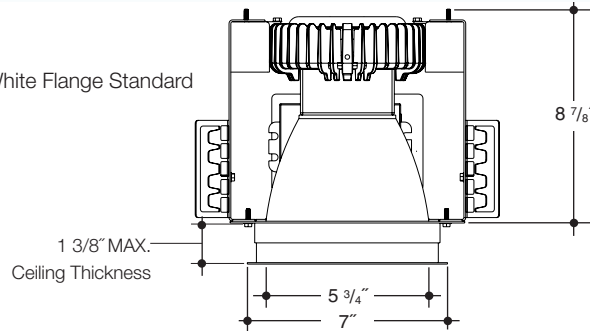
Manufactured and Listed to UL 1598, ETL and CSA standards.
Suitable for Damp Locations.

VANTAGE LIGHTING

SOLID STATE LIGHTING RECESSED LED

6" Round – Enclosed

- Round Aperture Solid State Recessed LED
- Round Reflector with Regressed Prismatic Lens, White Flange Standard



Series	Size	Lamp	Voltage	Lumens	Kelvin	Options
A	6	LED	1/2			
			1-120	1100L	3000K	EM - Emergency Bodine BLS517C (specify voltage)
			2-277	2000L	3500K	
					4000K	

Frame In Kit

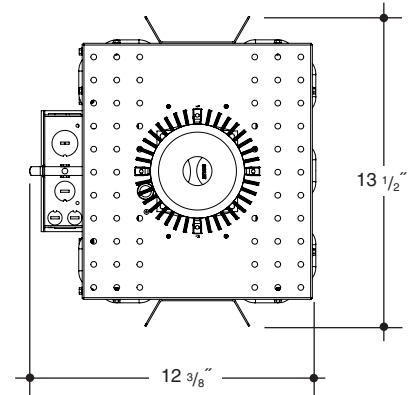
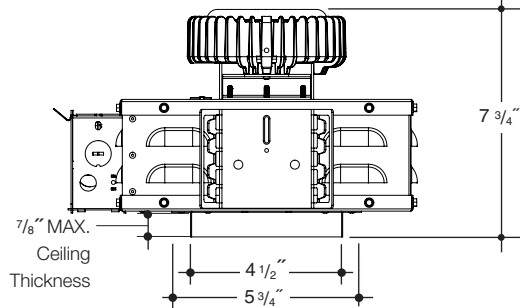
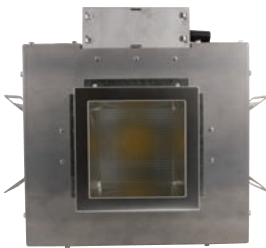
Lumens	Kelvin	Wattage	Thermal Management
1100L	3000K	19W	Active
1100L	3500K	18W	Active
1100L	4000K	17W	Active
2000L	3000K	36W	Active
2000L	3500K	34W	Active
2000L	4000K	36W	Active

Finish	Lens	Finish	Options
L6060			
	14 - Prismatic	SCL - Clear SGC - Soft Glow WHT - White	PF - High Polished Flange WL - Wet Location

Reflector Kit

4"x4" Square – Enclosed

- Solid State Recessed LED Square
- Square Reflector with Regressed Prismatic Lens, White Flange Standard



Series	Size	Lamp	Voltage	Lumens	Kelvin	Options
VGS	44	LED	1/2			
			1 - 120	1100L	3000K	EM - Emergency Bodine BLS517C (specify voltage)
			2 - 277	2000L	3500K	
					4000K	

Frame In Kit

Lumens	Kelvin	Wattage	Thermal Management
1100L	3000K	19W	Active
1100L	3500K	18W	Active
1100L	4000K	17W	Active
2000L	3000K	36W	Active
2000L	3500K	34W	Active
2000L	4000K	36W	Active

Finish	Lens	Finish	Options
VGS4400			
	14 - Prismatic	SCL - Clear SGC - Soft Glow WHT - White	PF - High Polished Flange WL - Wet Location

Reflector Kit

VANTAGE LIGHTING

SOLID STATE LIGHTING RECESSED LED

Product Number: **A6LED1100P-3500-L6060-14SCL**
 Frame In Kit: 6" Round Aperture Solid State Recessed LED
 Reflector: 6" Round Open Reflector with Regressed Prismatic Lens
 LTL Test Number: 28970
 Lamp(s) Source: (1) LED lamp rated at 855 lumens
 Total Luminaire Efficiency: 46.2%
 CIE Type: Direct
 Luminous Diameter: 5.750

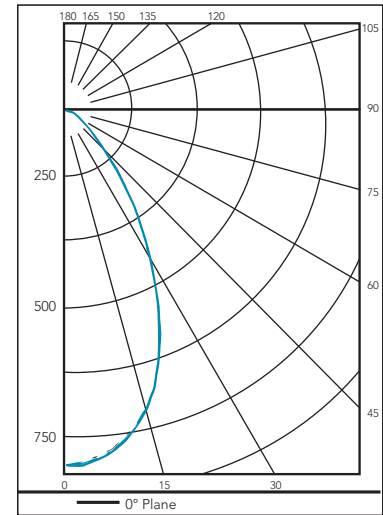
Cone of Light Tabulation

Distance From Luminaire	Illuminance Directly on Axis	Diameter of Circle	Illuminance at Edge of Circle
6'	23.2	5.2	11.6'
8'	13.1	7.0	6.5'
10'	8.4	8.7	4.2'
12'	5.8	10.5	2.9'
14'	4.3	12.2	2.1'
16'	3.3	14.0	1.6'

Zonal Lumens and Percentages

Zone	Lumens	Luminaire
0-30	512	59.89
0-40	684	80.07
0-60	820	95.88
0-90	855	100.00
40-90	170	19.93
6-90	35	4.12
90-180	0	0.00
0-180	855	100.00

RC	90				80				70				50				30				10				0			
RW	70	50	30	10	70	50	30	10	70	50	30	10	50	30	10	50	30	10	50	30	10	50	30	10	50	30	10	
0	1.22	1.22	1.22	1.22	1.19	1.91	1.91	1.91	1.16	1.16	1.16	1.16	1.11	1.11	1.11	1.06	1.06	1.06	1.02	1.02	1.02	1.00	1.00	1.00	1.00	1.00	1.00	
1	1.16	1.12	0.91	1.07	1.13	1.10	0.81	1.05	1.11	1.08	1.06	1.03	1.04	1.02	1.00	1.00	0.99	0.97	0.97	0.96	0.94	0.93	0.93	0.93	0.93	0.93	0.93	
2	1.09	1.04	0.99	0.95	1.07	1.02	0.97	0.94	1.05	1.00	0.96	0.93	0.96	0.93	0.91	0.94	0.91	0.89	0.91	0.89	0.87	0.85	0.83	0.81	0.85	0.83	0.81	
3	1.03	0.95	0.90	0.85	1.01	0.94	0.89	0.85	0.99	0.93	0.88	0.84	0.90	0.86	0.83	0.88	0.84	0.81	0.85	0.83	0.80	0.78	0.76	0.74	0.80	0.78	0.74	
4	0.97	0.88	0.82	0.77	0.95	0.87	0.81	0.77	0.94	0.86	0.81	0.76	0.84	0.79	0.75	0.82	0.78	0.74	0.80	0.76	0.74	0.72	0.70	0.67	0.74	0.72	0.67	
5	0.92	0.82	0.75	0.70	0.90	0.81	0.74	0.70	0.88	0.80	0.74	0.69	0.78	0.73	0.69	0.76	0.72	0.68	0.75	0.71	0.67	0.66	0.63	0.61	0.67	0.62	0.57	
6	0.87	0.76	0.69	0.65	0.85	0.75	0.69	0.64	0.83	0.75	0.68	0.64	0.73	0.68	0.64	0.72	0.67	0.63	0.70	0.66	0.63	0.61	0.58	0.55	0.61	0.57	0.53	
7	0.81	0.71	0.64	0.60	0.80	0.70	0.64	0.60	0.79	0.70	0.64	0.59	0.68	0.63	0.59	0.67	0.62	0.58	0.66	0.61	0.58	0.57	0.53	0.50	0.57	0.52	0.49	
8	0.77	0.66	0.59	0.55	0.76	0.65	0.59	0.54	0.74	0.64	0.58	0.54	0.63	0.58	0.54	0.62	0.57	0.54	0.61	0.57	0.53	0.52	0.48	0.45	0.52	0.48	0.45	
9	0.72	0.61	0.54	0.50	0.71	0.61	0.54	0.50	0.70	0.60	0.54	0.50	0.59	0.53	0.49	0.58	0.53	0.49	0.57	0.52	0.49	0.47	0.43	0.40	0.47	0.43	0.40	
10	0.68	0.57	0.50	0.45	0.67	0.56	0.50	0.45	0.65	0.56	0.50	0.45	0.55	0.49	0.45	0.54	0.49	0.45	0.53	0.48	0.45	0.43	0.39	0.36	0.43	0.39	0.36	



Product Number: **A6LED2000P-3500-L6060-14SCL**
 Frame In Kit: 6" Round Aperture Solid State Recessed LED
 Reflector: 6" Round Open Reflector with Regressed Prismatic Lens
 LTL Test Number: 28971
 Lamp(s) Source: (1) LED lamp rated at 1405 lumens
 Total Luminaire Efficiency: 39.6%
 CIE Type: Direct
 Luminous Diameter: 5.750

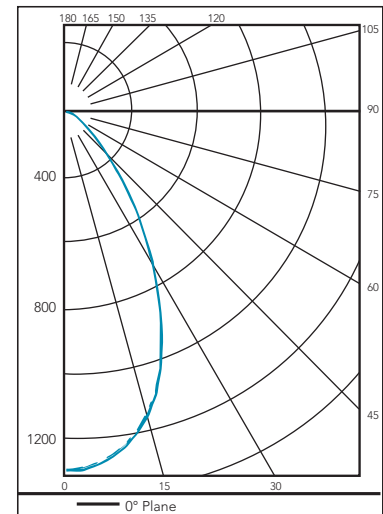
Cone of Light Tabulation

Distance From Luminaire	Illuminance Directly on Axis	Diameter of Circle	Illuminance at Edge of Circle
6'	37.7	5.3	18.8'
8'	21.2	7.0	10.6'
10'	13.6	8.8	6.8'
12'	9.4	10.5	4.7'
14'	6.9	12.3	3.5'
16'	5.3	14.0	2.6'

Zonal Lumens and Percentages

Zone	Lumens	Luminaire
0-30	836	59.50
0-40	1120	79.70
0-60	1346	95.83
0-90	1405	100.00
40-90	285	20.30
6-90	59	4.17
90-180	0	0.00
0-180	1405	100.00

RC	90				80				70				50				30				10				0			
RW	70	50	30	10	70	50	30	10	70	50	30	10	50	30	10	50	30	10	50	30	10	50	30	10	50	30	10	
0	1.22	1.22	1.22	1.22	1.19	1.91	1.91	1.91	1.16	1.16	1.16	1.16	1.11	1.11	1.11	1.06	1.06	1.06	1.02	1.02	1.02	1.00	1.00	1.00	1.00	1.00	1.00	
1	1.16	1.12	1.10	1.07	1.13	1.10	1.08	1.05	1.11	1.08	1.06	1.04	1.04	1.02	1.00	1.00	0.99	0.97	0.97	0.96	0.95	0.93	0.93	0.93	0.93	0.93	0.93	
2	1.09	1.04	0.99	0.95	1.07	1.02	0.98	0.94	1.05	1.00	0.96	0.93	0.97	0.93	0.91	0.94	0.91	0.89	0.91	0.89	0.87	0.85	0.83	0.81	0.85	0.83	0.81	
3	1.03	0.95	0.90	0.85	1.01	0.94	0.89	0.85	0.99	0.93	0.88	0.84	0.90	0.86	0.83	0.88	0.84	0.81	0.85	0.83	0.80	0.78	0.76	0.74	0.80	0.78	0.74	
4	0.97	0.88	0.82	0.77	0.95	0.87	0.81	0.77	0.93	0.86	0.81	0.76	0.84	0.79	0.75	0.82	0.78	0.74	0.80	0.76	0.74	0.72	0.70	0.67	0.74	0.72	0.67	
5	0.92	0.82	0.75	0.70	0.90	0.81	0.74	0.70	0.88	0.80	0.74	0.69	0.78	0.73	0.69	0.76	0.71	0.68	0.74	0.71	0.67	0.66	0.63	0.61	0.67	0.62	0.57	
6	0.87	0.76	0.69	0.65	0.85	0.75	0.69	0.64	0.83	0.74	0.68	0.64	0.73	0.68	0.63	0.71	0.67	0.63	0.70	0.66	0.63	0.61	0.58	0.55	0.61	0.57	0.53	
7	0.81	0.71	0.64	0.60	0.80	0.70	0.64	0.59	0.79	0.69	0.63	0.59	0.68	0.62	0.59	0.67	0.62	0.58	0.66	0.61	0.58	0.57	0.53	0.50	0.57	0.52	0.49	
8	0.77	0.66	0.59	0.55	0.75	0.65	0.59	0.54	0.74	0.64	0.58	0.54	0.63	0.58	0.54	0.62	0.57	0.53	0.61	0.57	0.53	0.52	0.48	0.45	0.52	0.48	0.45	
9	0.72	0.61	0.54	0.49	0.71	0.60	0.54	0.49	0.70	0.60	0.54	0.49	0.59	0.53	0.49	0.58	0.52	0.49	0.57	0.52	0.49	0.47	0.43	0.40	0.47	0.43	0.40	
10	0.68	0.56	0.49	0.45	0.67	0.56	0.49	0.45	0.65	0.55	0.49	0.45	0.55	0.49	0.45	0.54	0.48	0.45	0.53	0.48	0.45	0.43	0.39	0.36	0.43	0.39	0.36	



VANTAGE LIGHTING

SOLID STATE LIGHTING RECESSED LED

Product Number: **VGS44LED1100P-3500-VGS4400-14SCL**
 Frame In Kit: 4"x4" Square Aperture Solid State Recessed LED
 Reflector: 4" Square Open Reflector with Regressed Prismatic Lens
 LTL Test Number: 28974
 Lamp(s) Source: (1) LED lamp rated at 713 lumens
 Total Luminaire Efficiency: 38.3%
 CIE Type: Direct
 Luminous Diameter: 4.500

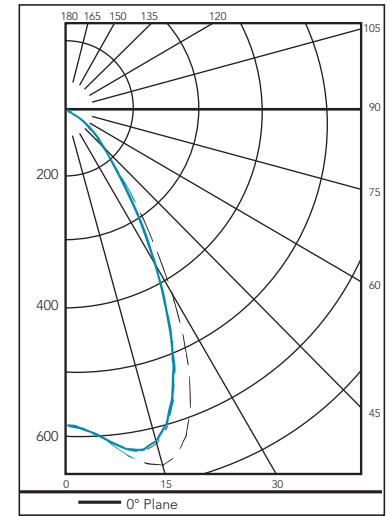
Zonal Lumens and Percentages

Zone	Lumens	Luminaire
0-30	462	64.85
0-40	606	85.09
0-60	708	99.30
0-90	713	100.00
40-90	106	14.91
60-90	5	0.70
90-180	0	0.00
0-180	713	100.00

RC	90				80				70				50				30				10				0			
RW	70	50	30	10	70	50	30	10	70	50	30	10	50	30	10	50	30	10	50	30	10	50	30	10	50	30	10	
0	1.22	1.22	1.22	1.22	1.19	1.91	1.91	1.91	1.16	1.16	1.16	1.16	1.11	1.11	1.11	1.06	1.06	1.06	1.02	1.02	1.02	1.00						
1	1.16	1.13	1.01	1.08	1.14	1.11	0.91	1.06	1.11	0.91	0.71	1.05	1.05	1.03	1.01	1.01	1.00	0.98	0.98	0.96	0.95	0.94						
2	1.01	1.05	0.01	0.97	1.08	1.03	0.99	0.96	1.06	1.01	0.98	0.95	0.98	0.95	0.92	0.95	0.93	0.91	0.92	0.90	0.89	0.87						
3	1.04	0.97	0.92	0.88	1.02	0.96	0.91	0.87	1.00	0.94	0.90	0.86	0.92	0.88	0.85	0.90	0.87	0.84	0.87	0.85	0.82	0.81						
4	0.99	0.90	0.84	0.80	0.97	0.89	0.84	0.81	0.95	0.88	0.83	0.79	0.86	0.82	0.78	0.84	0.80	0.77	0.82	0.79	0.76	0.75						
5	0.93	0.84	0.78	0.73	0.92	0.83	0.77	0.73	0.90	0.82	0.76	0.72	0.80	0.75	0.72	0.79	0.74	0.71	0.77	0.74	0.70	0.69						
6	0.89	0.79	0.72	0.68	0.87	0.78	0.72	0.67	0.85	0.77	0.71	0.67	0.75	0.70	0.67	0.74	0.70	0.66	0.73	0.69	0.66	0.64						
7	0.83	0.73	0.67	0.63	0.82	0.73	0.67	0.62	0.81	0.72	0.66	0.62	0.71	0.65	0.62	0.69	0.65	0.61	0.68	0.64	0.61	0.60						
8	0.79	0.68	0.62	0.57	0.78	0.67	0.61	0.57	0.76	0.67	0.61	0.57	0.66	0.60	0.57	0.65	0.60	0.56	0.64	0.59	0.56	0.55						
9	0.74	0.63	0.57	0.52	0.73	0.63	0.56	0.52	0.72	0.62	0.56	0.52	0.61	0.56	0.52	0.60	0.55	0.52	0.59	0.55	0.51	0.50						
10	0.69	0.59	0.52	0.48	0.58	0.58	0.52	0.48	0.67	0.58	0.52	0.48	0.57	0.51	0.48	0.56	0.51	0.47	0.55	0.51	0.47	0.46						

Cone of Light Tabulation

Distance From Luminaire	Illuminance Directly on Axis	Diameter of Circle	Illuminance at Edge of Circle
6'	16.2	6.2	8.1'
8'	9.1	8.3	4.6'
10'	5.8	10.4	2.9'
12'	4.0	12.5	2.0'
14'	3.0	14.6	1.5'
16'	2.3	16.6	1.1'



Product Number: **VGS44LED2000P-3500-VGS4400-14SCL**
 Frame In Kit: 4"x4" Square Aperture Solid State Recessed LED
 Reflector: 4" Square Open Reflector with Regressed Prismatic Lens
 LTL Test Number: 28975
 Lamp(s) Source: (1) LED lamp rated at 1249 lumens
 Total Luminaire Efficiency: 35.8%
 CIE Type: Direct
 Luminous Diameter: 4.500

Zonal Lumens and Percentages

Zone	Lumens	Luminaire
0-30	811	64.96
0-40	1066	85.40
0-60	1240	99.34
0-90	1249	100.00
40-90	182	14.60
6-90	8	0.66
90-180	0	0.00
0-180	1249	100.00

RC	90				80				70				50				30				10				0			
RW	70	50	30	10	70	50	30	10	70	50	30	10	50	30	10	50	30	10	50	30	10	50	30	10	50	30	10	
0	1.22	1.22	1.22	1.22	1.19	1.91	1.91	1.91	1.16	1.16	1.16	1.16	1.11	1.11	1.11	1.06	1.06	1.06	1.02	1.02	1.02	1.00						
1	1.16	1.13	1.01	1.08	1.14	1.11	0.81	1.06	1.11	0.91	0.71	1.05	1.05	1.03	1.01	1.01	1.00	0.98	0.98	0.96	0.95	0.94						
2	1.01	1.05	0.01	0.97	1.08	1.03	0.99	0.96	1.06	1.01	0.98	0.95	0.98	0.95	0.92	0.95	0.93	0.91	0.92	0.90	0.89	0.87						
3	1.04	0.97	0.92	0.88	1.02	0.96	0.91	0.87	1.00	0.94	0.90	0.86	0.92	0.88	0.85	0.90	0.86	0.84	0.87	0.85	0.82	0.81						
4	0.99	0.90	0.84	0.80	0.97	0.89	0.84	0.79	0.95	0.88	0.83	0.79	0.86	0.81	0.78	0.84	0.80	0.77	0.82	0.79	0.76	0.75						
5	0.93	0.84	0.78	0.73	0.92	0.83	0.77	0.73	0.90	0.82	0.76	0.72	0.80	0.75	0.72	0.78	0.74	0.71	0.77	0.73	0.70	0.69						
6	0.89	0.79	0.72	0.68	0.87	0.78	0.72	0.67	0.85	0.77	0.71	0.67	0.75	0.70	0.67	0.74	0.69	0.66	0.73	0.69	0.66	0.64						
7	0.83	0.73	0.67	0.63	0.82	0.73	0.66	0.62	0.81	0.72	0.66	0.62	0.71	0.65	0.62	0.69	0.65	0.61	0.68	0.64	0.61	0.59						
8	0.79	0.68	0.62	0.57	0.78	0.67	0.61	0.57	0.76	0.67	0.61	0.57	0.66	0.60	0.57	0.65	0.60	0.56	0.64	0.59	0.56	0.55						
9	0.74	0.63	0.57	0.52	0.73	0.63	0.56	0.52	0.72	0.62	0.56	0.52	0.61	0.55	0.52	0.60	0.55	0.51	0.59	0.55	0.51	0.50						
10	0.69	0.58	0.52	0.48	0.68	0.58	0.52	0.48	0.67	0.58	0.52	0.48	0.57	0.51	0.47	0.56	0.51	0.47	0.55	0.50	0.47	0.46						

Cone of Light Tabulation

Distance From Luminaire	Illuminance Directly on Axis	Diameter of Circle	Illuminance at Edge of Circle
6'	27.1	6.4	13.5'
8'	15.2	8.6	7.6'
10'	9.8	10.7	4.9'
12'	6.8	12.9	3.4'
14'	5.0	15.0	2.5'
16'	3.8	17.2	1.9'

