

# VANTAGE LIGHTING INDUCTION

Vantage Lighting's Induction lamp system is UL, FCC and CSA approved. System consists of lamp (supplied with fixture), power coupler and high frequency generator. Lamp positioned for maximum light output with minimal glare and smooth even illumination.

## Benefits of Vantage Induction Highbay:

- **100,000 Hour Lamp Life**
  - 3-5 times the service life of HID
  - 2 times the service life of LED
- **Energy Savings**
  - 50% energy savings over HID
- **80+ Lumens Per Watt Efficiency**
- **High Lumen Maintenance**
  - 75% at 50,000 hours
  - 65% at 100,000 hours
- **Instant On, No Restrike Delay**
- **90 CRI Color**
- **Cold Weather Operation Down to -40° C**
- **Electrode Less Lamp**
  - Exceptional longevity, durability and vibration resistance
- **Applications**
  - High ceilings
  - Difficult access installation
  - Applications with long hours of operations



**Highbays  
Cylinders  
Recessed**



Vantage Lighting  
76 Community Avenue  
Plainfield, CT 06374  
voice (860) 564.4512  
fax (860) 564.4854  
[www.vantageltg.com](http://www.vantageltg.com)



### Features

Manufactured and Listed to UL 1598, ETL and CSA standards.  
*Suitable for Damp Locations.*  
**Wet location under covered ceiling.**

# VANTAGE LIGHTING INDUCTION

## Induction Highbay

### Features:

- Long life - 100,000 hour lamp.
- Wide range of wattage options
- Kelvin range of 2720-6500K. (5000K standard)
- Instant start.
- Flicker-free operation.
- High efficacy.
- 86Lm/W
- High CRI - >80.
- Low lamp depreciation (70% at 75,000 hrs.)

**Fulham Induction Lamp** included 5000°K standards.

The Induction lamp system consists of lamp (supplied with fixture), power coupler and high frequency generator. Lamp positioned for maximum light output with minimal glare and smooth even illumination.

### Specifications:

**Reflector Options** – Aluminum or Acrylic

**Input voltage** – 120-277V

**Input frequency** – 50/60Hz

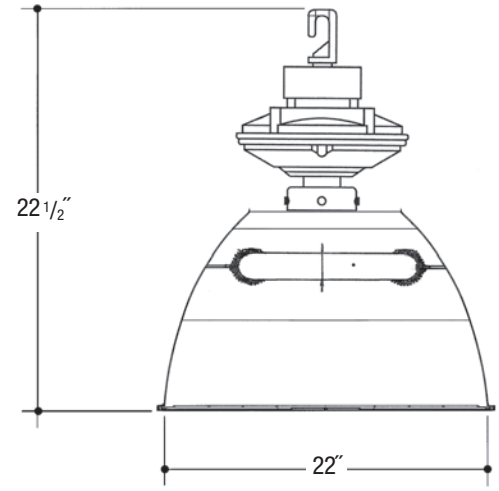
**THD** – <10%

**Power Factor** – >0.95

**Vibration tested** – to an ANSI C136.31-2001

**Generator** – Generator mounted to .125" thick heat sink for cool operation and maximum lamp life as recommended by lamp manufacturer.

**Consult factory for other induction options: recessed, cylinder, highbay in wattages from 35W to 300W.**



Series	Size	Lamp	Wattage	Generator	Ballast	Voltage	Finish	Options
AGV PGV	22	ID	300 250 200 150	300W 250W 200W 150W	E - Electronic	1 - 120V 2 - 277V	WHT BLK BZ CS CC	CL - Conical Lens DL - Drop Prismatic Lens WG - Wire Guard SC - Safety Cable DF - Dimming CP - Cord and Plug

Wattage	Lumens
300W	27,000L
250W	22,500L
200W	17,000L
150W	12,000L

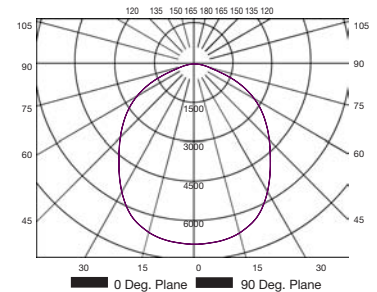
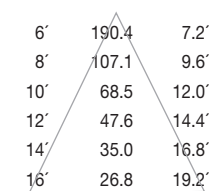
## HighBay

## Photometrics – Luminaire Information

**Product Number:** AGV22ID300E1-WHT  
**Housing:** Fulham Induction High Bay  
**Reflector:** 22" Aluminum White Reflector  
**LTL Test Number:** 20945  
**Lamp(s) Source:** (1) 300W Induction  
**Total Luminaire Efficiency:** 53.0%  
**CIE Type:** Direct  
**Luminaire Spacing Criterion:** 1.2%  
**Luminous Diameter:** 17226.4

Zonal Lumen Summary				
Zone	Lumens	% Lamp	% Fixture	
0-30	5302.7	N/A	30.8	
0-40	8433.9	N/A	49.0	
0-60	14289.4	N/A	83.0	
0-90	17226.4	N/A	100.0	
90-180	0	N/A	0	
0-180	17226.4	N/A	100.0	

### Cone Of Light



## Coefficients Of Utilization

RC	80				70				50			30			10			0
	70	50	30	10	70	50	30	10	50	30	10	50	30	10	50	30	10	0
0	20508	20508	20508	20508	20031	20031	20031	20031	19140	19140	19140	18326	18326	18326	17578	17578	17578	17226
1	18883	18122	17440	16825	18421	17734	17114	16552	17007	16498	16031	16339	15925	15542	15723	15392	15082	14730
2	17263	15924	14816	13885	16819	15602	14584	13720	14997	14142	13403	14440	13726	13100	13924	13335	12810	12449
3	15795	14063	12724	11656	15376	13794	12552	11552	13287	12224	11349	12818	11913	11153	12383	11618	10964	10599
4	14499	12513	11058	9948	14111	12286	10929	9879	11859	10679	9744	11463	10441	9613	11094	10214	9485	9122
5	13360	11217	9720	8615	13004	11027	9620	8568	10665	9425	8475	10329	9240	8384	10015	9062	8296	7939
6	12358	10127	8631	7557	12033	9966	8551	7523	9658	8397	7457	9372	8250	7392	9103	8107	7329	6982
7	11474	9204	7733	6702	11180	9066	7669	6678	8803	7545	6629	8557	7426	6581	8326	7310	6535	6200
8	10694	8417	6985	6001	10428	8298	6933	5983	8072	6831	5946	7860	6734	5910	7661	6639	5875	5553
9	10002	7739	6354	5418	9761	7637	6311	5404	7442	6227	5376	7256	6146	5348	7085	6068	5321	5012
10	9386	7253	5817	4928	9168	7065	5781	4917	6895	5711	4895	6735	5644	4873	6584	5578	4852	4556

Effective Floor Cavity Reflectance: 0.20

# VANTAGE LIGHTING INDUCTION

## Induction Highbay

The Philips QL Induction lamp system is UL, FCC and CSA approved. System consists of lamp (supplied with fixture), power coupler and high frequency generator. Lamp positioned for maximum light output with minimal glare and smooth even illumination.

### Specifications

**Housing** – Extruded aluminum 'Finned', vented for proper ballast operating temperature. Polyester powdercoat exterior finish with factory standard finishes White (WHT), Black (BLK), Bronze (BZ), Camero Silver (CS) (Standard), Custom Color (CC).

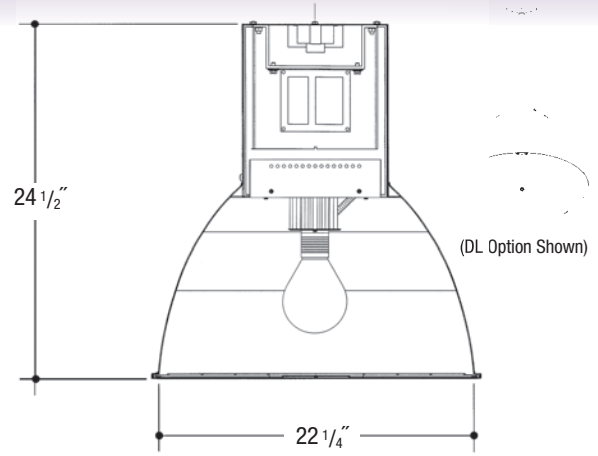
**Socket** – UL Listed medium or mogul base porcelain socket, with nickel plated brass screw shell.

**Ballast** – High frequency 50/60Hz electronic ballast. Thermally protected. Min. starting temperature of -18°C/0°F, with a THD of <10%. End of lamp life circuit protection. Power Factor >96%.

**Reflector** – Heavy gauge, high purity, spun aluminum or prismatic acrylic.

**Lamp** – Incandescent BR40, PAR38, A23, A21, Medium Base. (300W PS35 Mogul Base Consult Factory.)

**Pendant** – P – Stem mount accepts slope ceilings with a 45° swivel adjustment. Factory Standard stem length is 12". CK – Cord and Canopy Kit. Factory standard cord length is 72". CCK – Cord and Cable Kit. Factory standard cord length is 72". Specify all lengths and Color; White (WHT) or Black (BLK).



Series	Size	Lamp	Wattage	Ballast	Voltage	Kelvin	Finish	Options	HighBay
<input type="text"/>	<b>22</b>	<b>ID</b>	<input type="text"/>	<input type="text"/>	<input type="text"/>	<input type="text"/>	<input type="text"/>	<input type="text"/>	
AGV PGV	22	ID	165 85 55	E - Electronic	1 - 120V 2 - 277V	5000 4000 3000	WHT BLK BZ CS CC	BL - Flat, Clear Bottom Lens DL - Drop Prismatic Lens CL - Concial Lens WG - Wire Guard FWG - Full Wire Guard H - Hook Mounting Option (Standard) HC - Die Cast Hook, 16/3 Cord HCP - Die-Cast Hook, 16/3 Cord, NEMA Twist Lock Plug SC - Safety Cable	

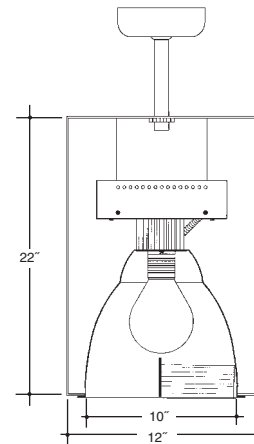
## Induction Cylinder

The Philips QL Induction lamp system is UL, FCC and CSA approved. System consists of lamp (supplied with fixture), power coupler and high frequency generator. Lamp positioned for maximum light output with minimal glare and smooth even illumination.

Heavy gauge spun aluminum reflector with specular "Alzak" finish or multi-groove baffle. Self trimming white painted flange. Polished Flange standard.

Extruded aluminum heat sink socket cup with wiring compartment. Generator mounted to .125" thick heat sink for cool operation and maximum lamp life as recommended by lamp manufacturer.

.064" extruded aluminum cylinder. Polyester powdercoat exterior finish with factory standard finishes of White (WHT), Black (BLK), Bronze (BZ), Camero Silver (CS).

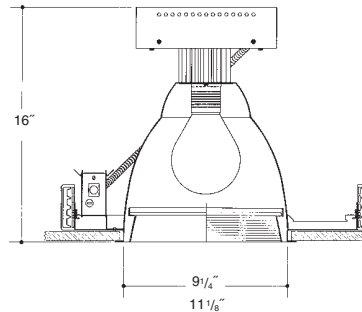
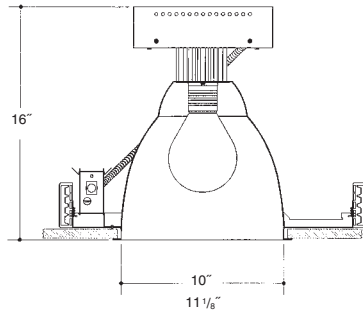


Series	Size	Lamp	Wattage	Generator	Voltage	Finish	Options	Frame In Kit
<input type="text"/>	<b>1222</b>	<b>ID</b>	<input type="text"/>	<input type="text"/>	<input type="text"/>	<input type="text"/>	<input type="text"/>	
VC VP VW	12x22	ID	85 55	E - Electronic	1 - 120V 2 - 277V	WHT BLK BZ CS CC		

Finish	Options	Reflector Kit
<input type="text"/>	<input type="text"/>	
Open SCL - Clear SGC - Soft Glow WHT - White	Open Baffled SCL/BL - Clear with Black Baffle WHT/BL - White with Black Baffle SCL/WH - Clear with White Baffle WHT/WH - White with White Baffle	

# VANTAGE LIGHTING INDUCTION

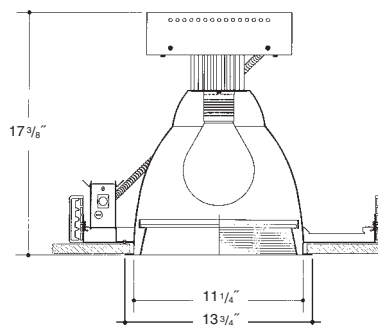
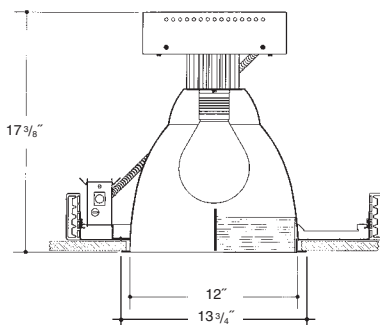
## 10" Induction Recessed



Series	Size	Wattage	Generator	Voltage	Options	Frame In Kit
<b>AID</b>	<input type="checkbox"/>	<input type="checkbox"/>	<input type="checkbox"/>	<input type="checkbox"/>	<input type="checkbox"/>	
AID	10	85 55	E - Electronic	1 - 120V 2 - 277V	R - Remodeler	

Reflector	Finish	Options	Reflector Kit
<input type="checkbox"/>	<input type="checkbox"/>	<input type="checkbox"/>	
<b>Open</b> 10000SCL - Clear 10000SGC - Soft Glow <b>Open Baffled</b> 10050SCL/BL - Clear with Black Baffle 10050SGC/BL - Soft Glow with Black Baffle 10050SCL/WH - Clear with White Baffle 10050SGC/WH - Soft Glow with White Baffle	<b>Lensed</b> 10011 - Tempered Clear Lens 10014 - Tempered Prismatic Lens 10016 - Tempered Fresnel Lens <b>Lensed Baffled</b> 10021 - Tempered Clear Lens 10024 - Tempered Prismatic Lens 10026 - Tempered Fresnel Lens	<b>Finish</b> SCL - Clear SGC - Soft Glow WHT - White <b>Baffled Finish</b> SCL/BL - Clear with Black Baffle SCL/WH - Clear with White Baffle	<b>Options</b> PF - High Polished Flange GSK - Single Sealed Gasketing Around Flange DGSK - Silicone Sealed Lens and Gasketing Around Flange

## 12" Induction Recessed



Series	Size	Wattage	Generator	Voltage	Options	Frame In Kit
<b>AID</b>	<input type="checkbox"/>	<input type="checkbox"/>	<input type="checkbox"/>	<input type="checkbox"/>	<input type="checkbox"/>	
AID	12	85 55	E - Electronic	1 - 120V 2 - 277V	R - Remodeler	

Reflector	Finish	Options	Reflector Kit
<input type="checkbox"/>	<input type="checkbox"/>	<input type="checkbox"/>	
<b>Open</b> 12000SCL - Clear 12000SGC - Soft Glow <b>Open Baffled</b> 12050SCL/BL - Clear with Black Baffle 12050SGC/BL - Soft Glow with Black Baffle 12050SCL/WH - Clear with White Baffle 12050SGC/WH - Soft Glow with White Baffle	<b>Lensed</b> 12011 - Tempered Clear Lens 12014 - Tempered Prismatic Lens 12016 - Tempered Fresnel Lens <b>Lensed Baffled</b> 12021 - Tempered Clear Lens 12024 - Tempered Prismatic Lens 12026 - Tempered Fresnel Lens	<b>Finish</b> SCL - Clear SGC - Soft Glow WHT - White <b>Baffled Finish</b> SCL/BL - Clear with Black Baffle SCL/WH - Clear with White Baffle	<b>Options</b> PF - High Polished Flange GSK - Single Sealed Gasketing Around Flange DGSK - Silicone Sealed Lens and Gasketing Around Flange