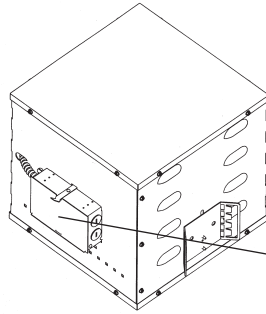
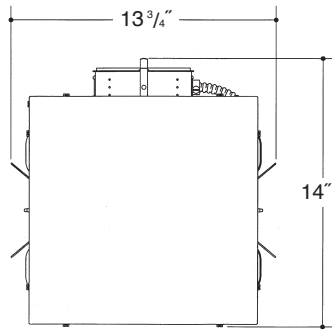


# A r c h i t e c t u r a l   G r a d e

Job Name \_\_\_\_\_

Type \_\_\_\_\_



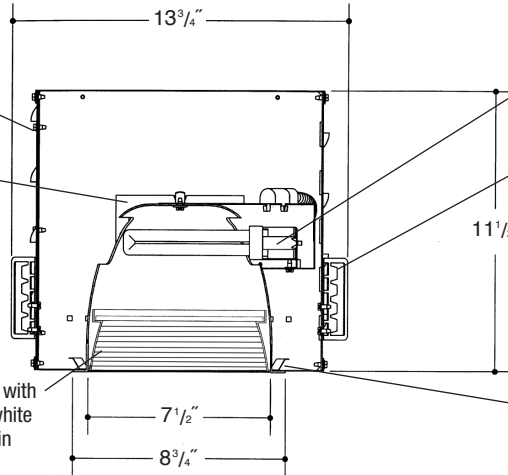
**8" H.F. 2 LT  
LENSED BAFFLED  
IC-RATED**

Heavy gauge electrogalvanized steel junction box, prewired and grounded with easy access from below, listed for through branch circuit wiring.

IC-Rated formed, vented, aluminum housing.

Electronic ballast, Class P, 50/60 HZ-120/277, Programmed Start, thermally protected, 98% Power Factor, 1.00 Ballast Factor, <10% THD, Class A sound rated. Minimum starting temperature -18°C/0°F. *UL Listed* component.

Heavy gauge spun aluminum low iridescent reflector with self trimming flanged baffled splay/lens holder and white painted flange. Polished Flange available. Safety chain provided.



Aluminum socket housing with zinc plated steel quick assembly hardware. *UL Listed* socket and electrical connectors.

Adjustable height electrogalvanized plated steel mounting ears with cutouts for various mounting methods. Standard bars (included) are innovative and incorporate rigid formed cross sections, joist positioning tabs, integral nails, auxiliary nailholes, T-Bar slots and holes for locking bars to T-Bar using #8 self-tapping screws (by others). Bars extend 14"-24". Ears will also accept Caddy Bar #520 for fast installation in T-Bar ceilings, bars extend 27".

Electrogalvanized plated steel frame.

## Rough in Kit – 8" Horizontal Fluorescent IC-Rated 2-Lamp (Compact Fluorescent Twin, Quad Tube or Triple Tube)

Catalog Number **AIC8HF2**

<b>AIC8HF2</b>	<b>Wattage</b>	<b>Ballast</b>	<b>Voltage</b>	<b>Options</b>
	42W MAX. PLT	E	1	F
	32W PLT	DA	2	PR
	26W DTT		3	EM
	18W DTT		4	
	13"W TT, DTT			

**Ballast**

**E** Electronic (4 Pin Lamp)  
**DA** Dimming - Advance Mark X (4 Pin Lamp)  
**\*** 13 Watt Advance Mark VII Only

**Voltage**

**1** 120 Volts  
**2** 277 Volts  
**3** 347 Volts (Electronic Ballast only)  
**4** 208 Volts (Electronic Ballast Only)

**Options ▲**

**F** Fused  
**PR** Plaster Ring  
**EM** Emergency Battery

**1-Lamp** - Replace **AIC8HF2** with **AIC8HF1**

Electronic Multi-Tap Ballast 120V Thru 277V Factory Standard

## Finishing Kit – 8" Horizontal Fluorescent Lensed Reflector – clear reflector standard with Black or White Baffled Splay

Catalog Number **86**

<b>86</b>	<b>Lens</b>	<b>Finish</b>	<b>Options</b>
	8641 - Tempered Clear Lens	SCL/BL	DGSK
	8644 - Tempered Prismatic Lens (C73 Pattern)	SCL/WH	
	8646 - Fresnel Lens	WHT/WH	
		WHT/BL	

**Finish (Factory Standard)**

**SCL/BL** Specular Clear "Alzak" with Black Baffled Splay  
**SCL/WH** Specular Clear "Alzak" with White Baffled Splay  
**WHT/WH** White Reflector with White Baffled Splay  
**WHT/BL** White Reflector with Black Baffled Splay

**Options ▲**  
**DGSK** Neoprene Foam Double Gasketing

### Features

Manufactured and Listed to UL 1598, ETL and CSA standards. Suitable for Damp Locations. Wet location under covered ceiling



▲ See Options and Finishes pages for a list of additional finishes and equipment.

Vantage reserves the right to change components, finishes or design details in any manner which does not alter the installed appearance or reduce performance and intended function.

