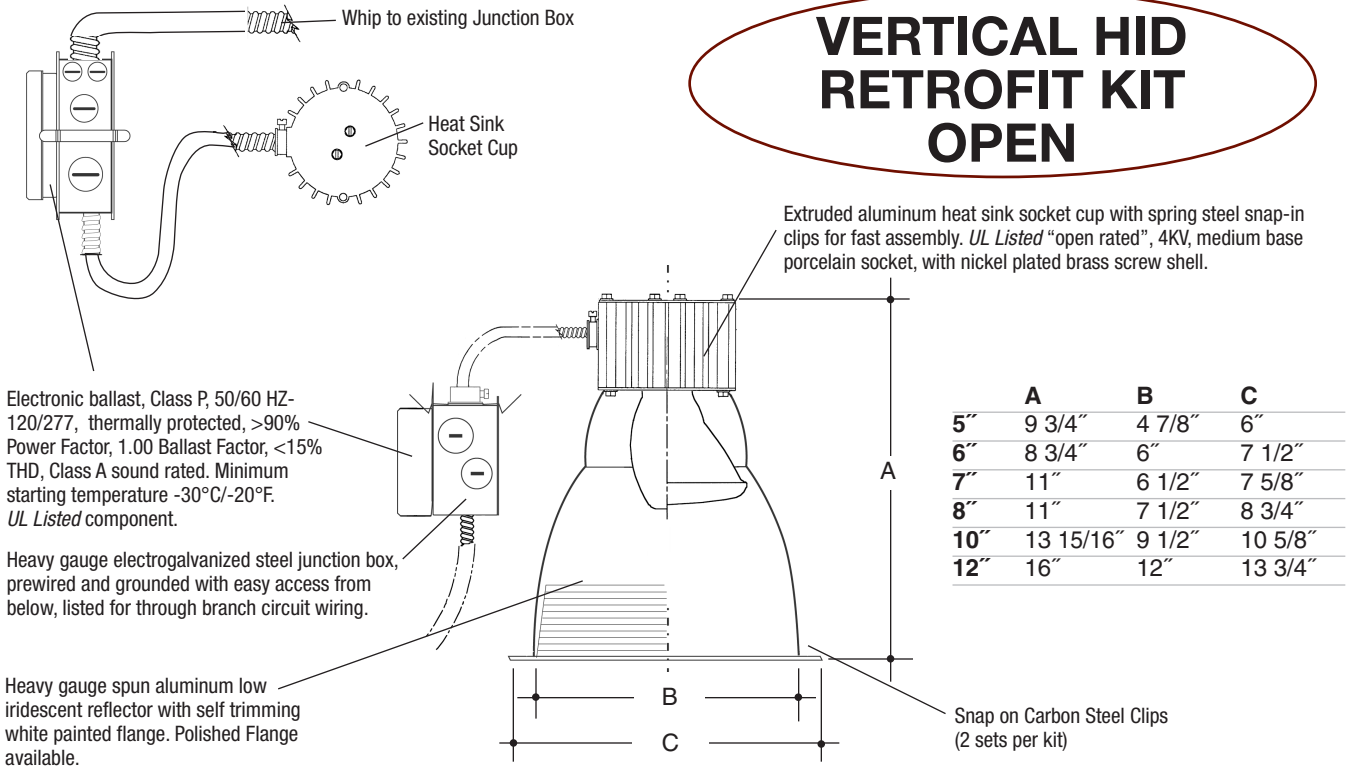


# Architectural Grade

Job Name \_\_\_\_\_

Type \_\_\_\_\_



## Rough in Kit – Vertical HID (ED17; PAR30; PAR38 Open Rated\* Lamps). *\*Note: 'Open Fixture Rated' lamp must be used.*

Catalog Number **RAXMHO**

Catalog Number	Wattage	Ballast	Voltage	Options	Ballast	Options ▲
<b>RA12MHO</b>					E	Electronic
<b>RA10MHO</b>					1	120 Volts
<b>RA8MHO</b>	175W MAX. ED17***	E	1	QS	2	277 Volts
<b>RA7MHO</b>	150W ED17, PAR38		2	QR		
<b>RA6MHO</b>	100W ED17, PAR38			F		Quartz Socket
<b>RA5MHO</b>	70W ED17, PAR30, PAR38					Quartz Restrike Fused
	50W ED17					
	39W PAR20, PAR30					
	35W ED17					

\*\*\*175 Watt Only available in 10" or 12"

Electronic Multi-Tap Ballast 120V Thru 277V Factory Standard

## Finishing Kit – HID Open Reflector

Catalog Number

Catalog Number	Finish	Options	Finish (Factory Standard)	Options ▲
<b>12400</b>			<b>SCL</b> Specular Clear "Alzak" Reflector with White Flange	
<b>10400</b>			<b>SGO</b> Specular Gold "Alzak" Reflector with White Flange	
<b>8400</b>	SCL	PF	<b>WHT</b> White Reflector with White Flange	
<b>7400</b>	SGO			<b>PF</b> High Polished Flange
<b>6400</b>	WHT			
<b>5500</b>				

## Features

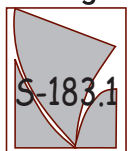
Manufactured and Listed to UL 1598, ETL and CSA standards.  
Suitable for Damp Locations  
Wet location under covered ceiling



▲ See Options and Finishes pages for a list of additional finishes and equipment.

Vantage reserves the right to change components, finishes or design details in any manner which does not alter the installed appearance or reduce performance and intended function.

Vantage



Luminaires

76 Community Avenue Plainfield, CT 06374  
voice (860) 564.4512 fax (860) 564.4854  
www.vantageitg.com

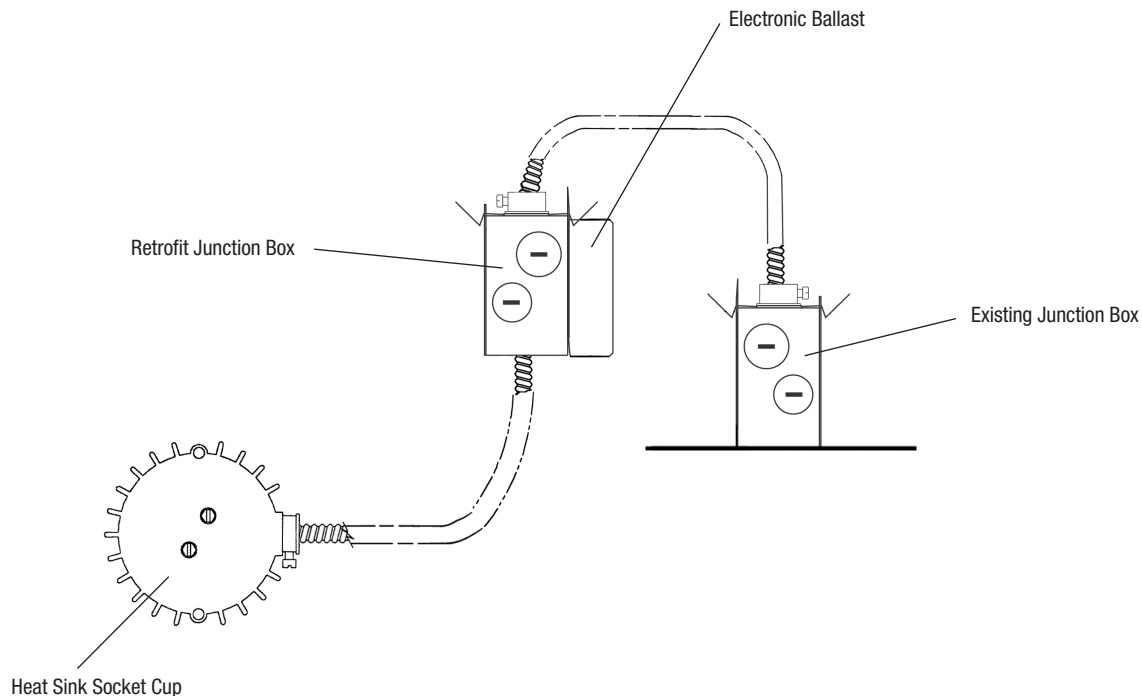
03/10

# Installation Instructions

## RETROFIT KIT INSTALLATION

### *Retrofit Kit Installation Instructions*

1. Turn off Power.
2. Remove existing reflector and disconnect whip from junction box.
3. Attach Vantage junction box power lead to power existing junction box (FIG 1).
4. Attach Vantage Retrofit Junction Box to existing Frame.
5. Attach Vantage clips to frame.
6. Attach reflector to socket cup.
7. Install reflector in retro frame.
8. Install lamp.
9. Energize.



▲ See Options and Finishes pages for a list of additional finishes and equipment.

Vantage reserves the right to change components, finishes or design details in any manner which does not alter the installed appearance or reduce performance and intended function.

76 Community Avenue Plainfield, CT 06374  
voice (860)564.4512 fax (860)564.4854  
www.vantageitg.com

10/09

