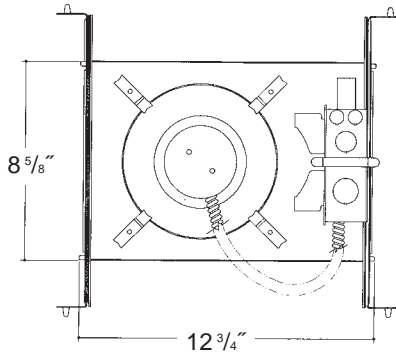


C o m m e r c i a l G r a d e

Job Name _____

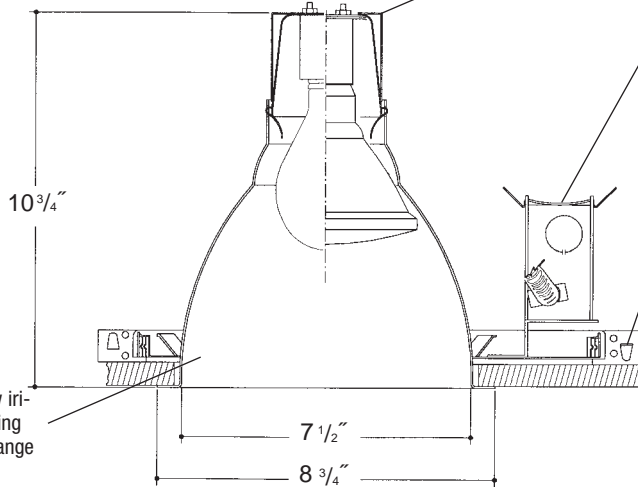
Type _____



8" OPEN INCANDESCENT

Aluminum socket cup with spring steel snap-in clips for fast assembly. *UL Listed* medium base porcelain socket, with nickel plated brass screw shell.

Heavy gauge electrogalvanized steel junction box, prewired and grounded with easy access from below. Listed for through branch circuit wiring. Thermal cutout provided.



Heavy gauge spun aluminum low iridescent reflector with self trimming white painted flange. Polished Flange available.

Electrogalvanized steel frame components with spring steel reflector clips for fast assembly of reflector. Innovative, rigid bar hangers incorporate formed cross sections, joist positioning tabs, integral nails, auxiliary nailholes, T-Bar slots and holes for locking bars to T-Bar using #8 self-tapping screws (by others). Bars extend 14"-24". Frame will also accept Caddy Bar #517B for fast installation in drop-in ceilings, bars extend 27".

Rough in Kit – 8" Incandescent (200W A23; 150W A21; 150W PAR38; 100W PAR30)

Catalog Number **8INC** _____

8INC

Wattage

Options

200W MAX. A23
150W A21
150W PAR38
100W PAR30

277V SD
R

Options ▲

277V SD Step Down Transformer 277V to 120V
R Remodeler

Finishing Kit – 8" Incandescent Open Reflector

Catalog Number **8000** _____

8000

Finish

Options

SCL
SGO
WHT

PF

Finish (Factory Standard)

SCL Specular Clear "Alzak" with White Flange
SGO Specular Gold "Alzak" with White Flange
WHT White Reflector with White Flange

Options ▲

PF High Polished Flange

Features

Manufactured and Listed to UL 1598, ETL and CSA standards.
Suitable for Damp Locations
Wet location under covered ceiling



▲ See Options and Finishes pages for a list of additional finishes and equipment.

Vantage reserves the right to change components, finishes or design details in any manner which does not alter the installed appearance or reduce performance and intended function.

06/07

76 Community Avenue Plainfield, CT 06374
voice (860)564.4512 fax (860)564.4854
www.vantageltg.com

Vantage



Luminaires

Photometric Information

Product Number: 8INC150PAR38/8000SCL
Frame In Kit: 8" Vertical Mount Incandescent
Reflector: 8" Vertical Mount Clear "Alzak" Reflector
LTL Test Number: 06868
Lamp(s) Source: (1) 150W PAR38/CAP/FL Halogen rated at 2200 lumens
Total Luminaire Efficiency: 93.6%
CIE Type: Direct
Luminaire Spacing Criterion: 0.5
Luminous Diameter: 7.500

Zonal Lumen Summary

ZONE	LUMENS	%LAMP	%FIXTURE
0- 30	1921	87.3	93.3
0- 40	2050	93.2	99.6
0- 60	2059	93.6	100.0
0- 90	2059	93.6	100.0
90-180	0	0.0	0.0
0-180	2059	93.6	100.0

Cone of Light

Ft. Below	Fc Nadir	Dia @50%
6.0	158.9	3.4
8.0	89.4	4.6
10.0	57.2	5.7
12.0	39.7	6.8
14.0	29.2	8.0
16.0	22.4	9.1

Coefficients of Utilization

RC	80				70				50				30				10				0
RW	70	50	30	10	70	50	30	10	50	30	10	50	30	10	50	30	10	50	30	10	0
0	111111111111	109109109109	104104104	100100100	96	96	96	94													
1	108106105103	106104103102	101	99	98	97	96	96	94	93	93	91									
2	105102100	103101	98	96	98	96	94	95	94	92	93	91	90	89							
3	102	99	96	93	101	97	95	93	95	93	91	93	91	90	91	90	89	87			
4	100	95	92	90	98	94	92	89	93	90	88	91	89	87	89	88	86	85			
5	97	92	89	86	96	92	88	86	90	87	85	89	86	85	87	86	84	83			
6	95	90	86	84	94	89	86	84	88	85	83	87	85	83	86	84	82	81			
7	92	87	84	81	92	87	83	81	86	83	81	85	82	80	84	82	80	79			
8	90	85	81	79	89	84	81	79	83	81	78	83	80	78	82	80	78	77			
9	88	82	79	77	87	82	79	77	81	78	76	81	78	76	80	78	76	75			
10	86	80	77	75	85	80	77	75	79	76	74	79	76	74	78	76	74	73			

