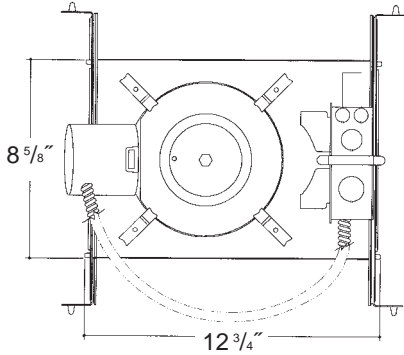


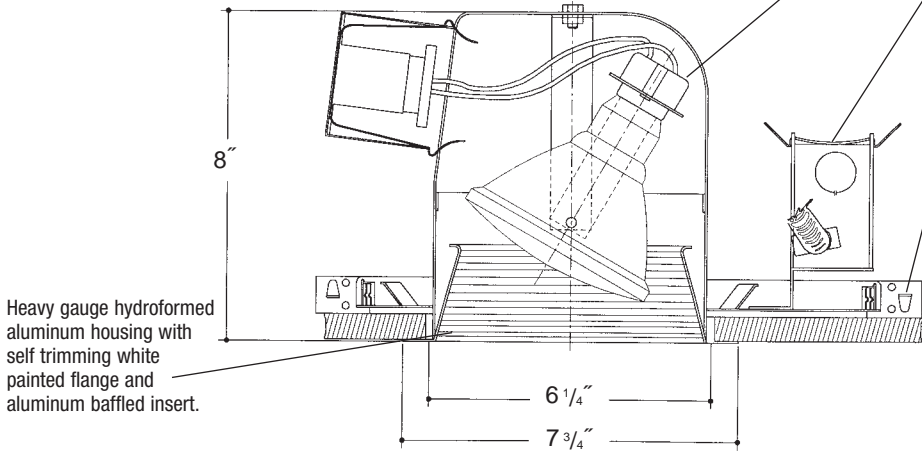
# C o m m e r c i a l G r a d e

Job Name \_\_\_\_\_

Type \_\_\_\_\_



## 7" OPEN ADJUSTABLE BAFFLED INCANDESCENT



Glazed porcelain *UL Listed* socket mounted to steel yoke swivel assembly. Yoke tilt is 35° and will swivel 358°.

Heavy gauge electrogalvanized steel junction box, prewired and grounded with easy access from below. Listed for through branch circuit wiring. Thermal cutout provided.

Electrogalvanized steel frame components with spring steel reflector clips for fast assembly of reflector. Innovative, rigid bar hangers incorporate formed cross sections, joist positioning tabs, integral nails, auxiliary nailholes, T-Bar slots and holes for locking bars to T-Bar using #8 self-tapping screws (by others). Bars extend 14"-24". Frame will also accept Caddy Bar #517B for fast installation in drop-in ceilings, bars extend 27".

Heavy gauge hydroformed aluminum housing with self trimming white painted flange and aluminum baffled insert.

### Rough in Kit – 7" Incandescent Adjustable (150W PAR38; 85W BR30; 100W PAR30; 50W PAR20; 75W PAR16)

Catalog Number **7INC**

**7INC**

Wattage

Options

150W MAX. PAR38  
85W BR30  
100W PAR30  
50W PAR20  
75W PAR16

277V SD  
R

Options ▲

**277V SD**  
R

Step Down Transformer 277V to 120V Remodeler

### Finishing Kit – 7" Incandescent Adjustable with Multi-Groove Baffle

Catalog Number **7850**

**7850**

Finish

WHT/BLK  
WHT/WHT

Finish (Factory Standard)

**WHT/BLK**  
**WHT/WHT**

Black Baffle with White Housing and White Flange  
White Baffle with White Housing and White Flange

#### Features

Manufactured and Listed to UL 1598, ETL and CSA standards.  
Suitable for Damp Locations  
Wet location under covered ceiling



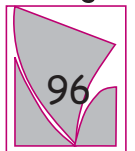
▲ See Options and Finishes pages for a list of additional finishes and equipment.

Vantage reserves the right to change components, finishes or design details in any manner which does not alter the installed appearance or reduce performance and intended function.

06/07

76 Community Avenue Plainfield, CT 06374  
voice (860)564.4512 fax (860)564.4854  
www.vantageltg.com

Vantage



Luminaires