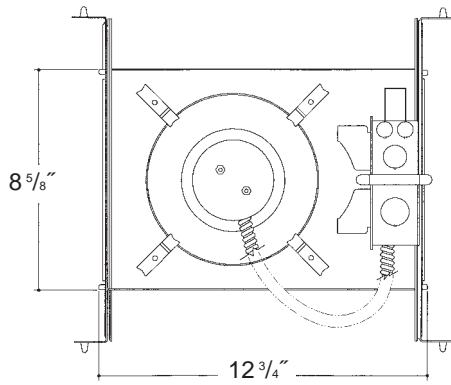


Job Name \_\_\_\_\_

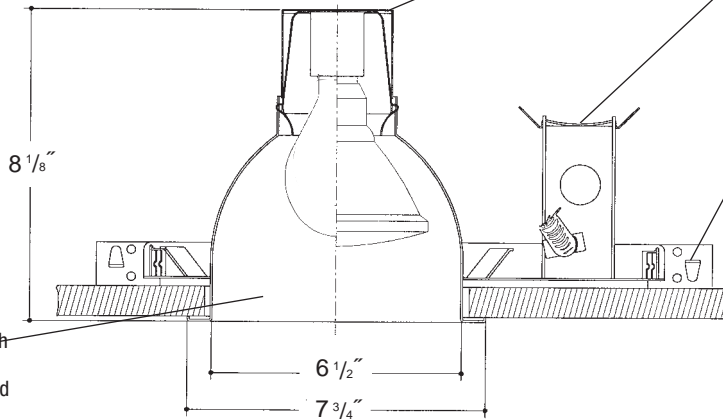
Type \_\_\_\_\_



## 7" SHALLOW OPEN INCANDESCENT

Aluminum socket cup with spring steel snap-in clips for fast assembly. *UL Listed* medium base porcelain socket, with nickel plated brass screw shell.

Heavy gauge electrogalvanized steel junction box, prewired and grounded with easy access from below. Listed for through branch circuit wiring. Thermal cutout provided.



Electrogalvanized steel frame components with spring steel reflector clips for fast assembly of reflector. Innovative, rigid bar hangers incorporate formed cross sections, joist positioning tabs, integral nails, auxiliary nailholes, T-Bar slots and holes for locking bars to T-Bar using #8 self-tapping screws (by others). Bars extend 14"-24". Frame will also accept Caddy Bar #517B for fast installation in drop-in ceilings, bars extend 27".

Heavy gauge spun aluminum shallow low iridescent reflector with self trimming white painted flange. Polished Flange available.

### Rough in Kit – 7" Incandescent (150W A21; 150W PAR38; 120W BR40; 100W PAR30)

Catalog Number **7INC** \_\_\_\_\_

7INC	Wattage	Options
	150W MAX. A21	277V SD
	150W PAR38	R
	120W BR40	
	100W PAR30	

Options ▲  
**277V SD** Step Down Transformer 277V to 120V  
**R** Remodeler

### Finishing Kit – 7" Incandescent Shallow Open Reflector

Catalog Number **7300** \_\_\_\_\_

7300	Finish	Options
	SCL	PF
	SGO	
	WHT	

Finish (Factory Standard)  
**SCL** Specular Clear "Alzak" with White Flange  
**SGO** Specular Gold "Alzak" with White Flange  
**WHT** White Reflector with White Flange

Options ▲  
**PF** High Polished Flange

#### Features

Manufactured and Listed to UL 1598, ETL and CSA standards.  
 Suitable for Damp Locations  
 Wet location under covered ceiling



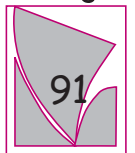
▲ See Options and Finishes pages for a list of additional finishes and equipment.

Vantage reserves the right to change components, finishes or design details in any manner which does not alter the installed appearance or reduce performance and intended function.

05/07

76 Community Avenue Plainfield, CT 06374  
 voice (860)564.4512 fax (860)564.4854  
 www.vantageitg.com

Vantage



Luminaires