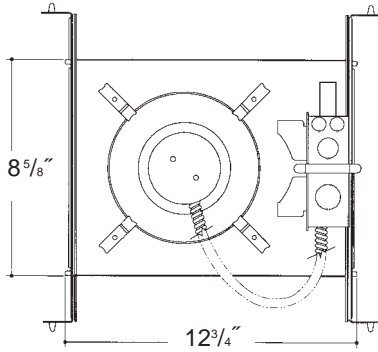


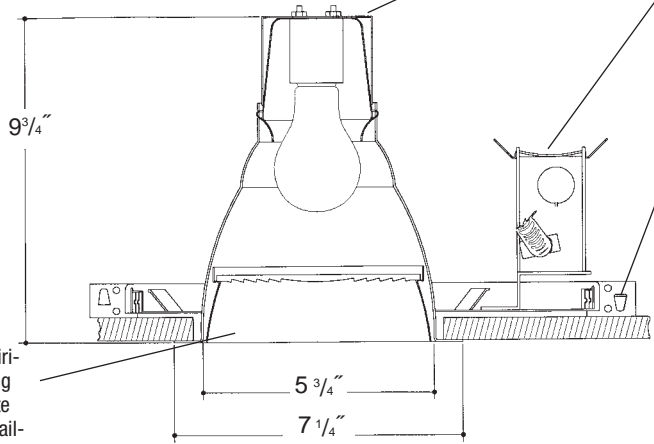
C o m m e r c i a l G r a d e

Job Name _____

Type _____



6" LENSED INCANDESCENT



Aluminum socket cup with spring steel snap-in clips for fast assembly. *UL Listed* medium base porcelain socket, with nickel plated brass screw shell.

Heavy gauge electrogalvanized steel junction box, prewired and grounded with easy access from below. Listed for through branch circuit wiring. Thermal cutout provided.

Electrogalvanized steel frame components with spring steel reflector clips for fast assembly of reflector. Innovative, rigid bar hangers incorporate formed cross sections, joist positioning tabs, integral nails, auxiliary nailholes, T-Bar slots and holes for locking bars to T-Bar using #8 self-tapping screws (by others). Bars extend 14"-24". Frame will also accept Caddy Bar #517B for fast installation in drop-in ceilings, bars extend 27".

Heavy gauge spun aluminum low incandescent reflector with self trimming flanged splay/lens holder and white painted flange. Polished Flange available. Safety chain provided.

Rough in Kit – 6" Incandescent (100W A21; 100W A19)

Catalog Number **6INC** _____

6INC

Wattage

100W MAX. A21
100W A19

Options

277V SD
R

Options ▲

277V SD
R

Step Down Transformer 277V to 120V Remodeler

Finishing Kit – 6" Incandescent Lensed Reflector – clear reflector standard with Self trim flange

Catalog Number **60** _____

60

Lens

6011 - Tempered Clear Lens
6014 - Tempered Prismatic Lens (C73 Pattern)
6016 - Fresnel Lens
6018 - Flat Alba Lens
6019 - Drop Opal Lens

Finish

SCL
SGO
WHT

Options

PF
WL

Finish (Factory Standard)

SCL
SGO
WHT

Specular Clear "Alzak" Splay with White Flange
Specular Gold "Alzak" Splay with White Flange
White Splay with White Flange

Options ▲

PF
WL

High Polished Flange
Sealed Lens and Gasketed Flange

Features

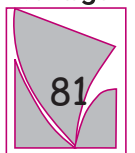
Manufactured and Listed to UL 1598, ETL and CSA standards.
Suitable for Damp Locations
Wet location under covered ceiling



▲ See Options and Finishes pages for a list of additional finishes and equipment.

Vantage reserves the right to change components, finishes or design details in any manner which does not alter the installed appearance or reduce performance and intended function.

Vantage



Luminaires

76 Community Avenue Plainfield, CT 06374
voice (860)564.4512 fax (860)564.4854
www.vantageltg.com

05/07