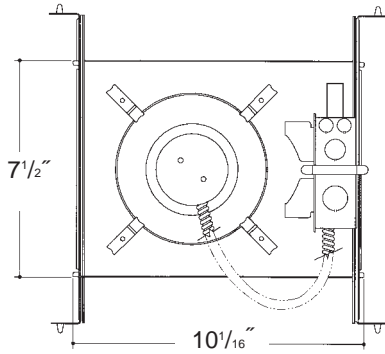


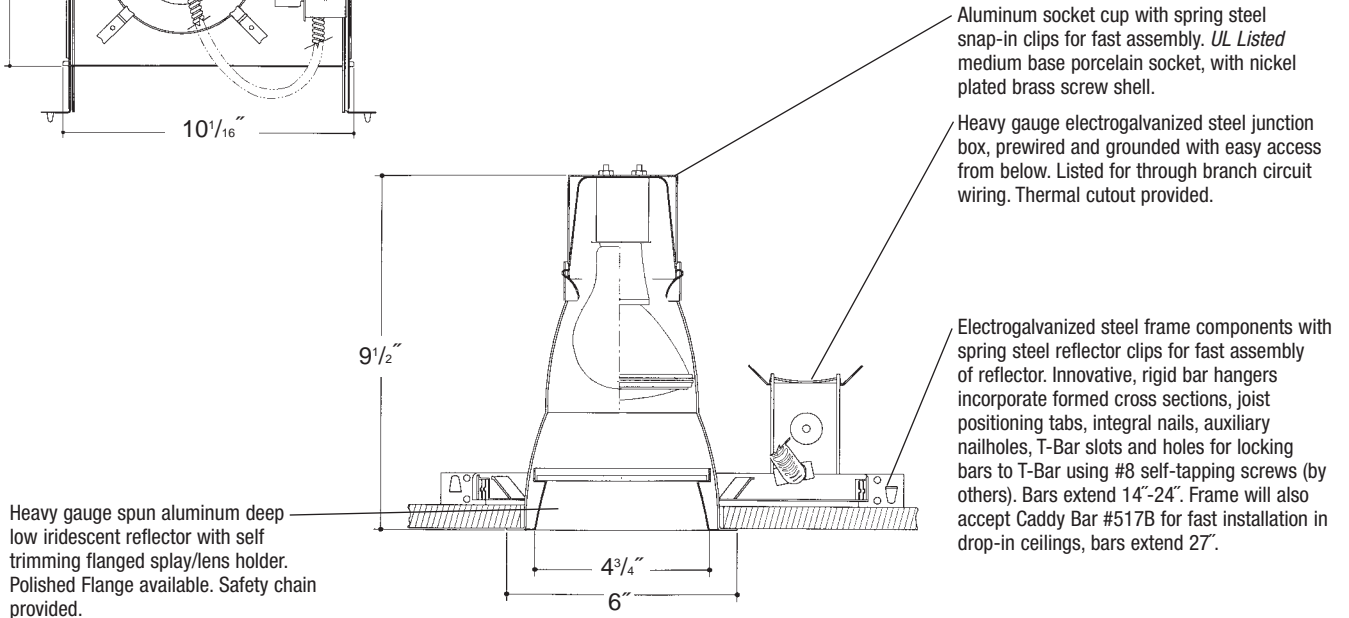
C o m m e r c i a l G r a d e

Job Name _____

Type _____



5" DEEP LENSED INCANDESCENT



Rough in Kit – 5" Incandescent (100W A19; 75W PAR30)

Catalog Number **5INC**

5INC

Wattage

100W MAX. A19
75W PAR30

Options

277V SD
R

Options ▲

277V SD
R

Step Down Transformer 277V to 120V Remodeler

☞ Long Neck Only

Finishing Kit – 5" Incandescent Deep Lensed Reflector – clear reflector standard with self trim flange

Catalog Number **55**

55

Lens

5511 - Tempered Clear Lens
5514 - Tempered Prismatic Lens (C73 Pattern)
5516 - Fresnel Lens

Finish

SCL
SGO
WHT

Options

PF
WL

Finish (Factory Standard)

SCL
SGO
WHT

Specular Clear "Alzak" Splay with White Flange
Specular Gold "Alzak" Splay with White Flange
White Splay with White Flange

Options ▲

PF
WL

High Polished Flange
Sealed Lens and Gasketed Flange

Features

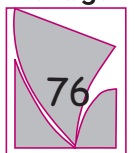
Manufactured and Listed to UL 1598, ETL and CSA standards.
Suitable for Damp Locations
Wet location under covered ceiling



▲ See Options and Finishes pages for a list of additional finishes and equipment.

Vantage reserves the right to change components, finishes or design details in any manner which does not alter the installed appearance or reduce performance and intended function.

Vantage



Luminaires

76 Community Avenue Plainfield, CT 06374
voice (860)564.4512 fax (860)564.4854
www.vantageltg.com

05/07