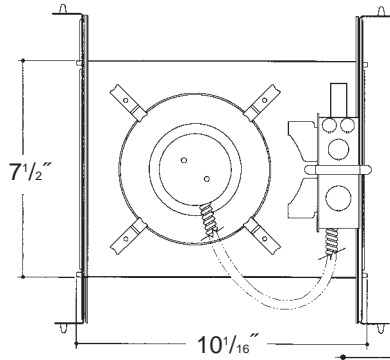
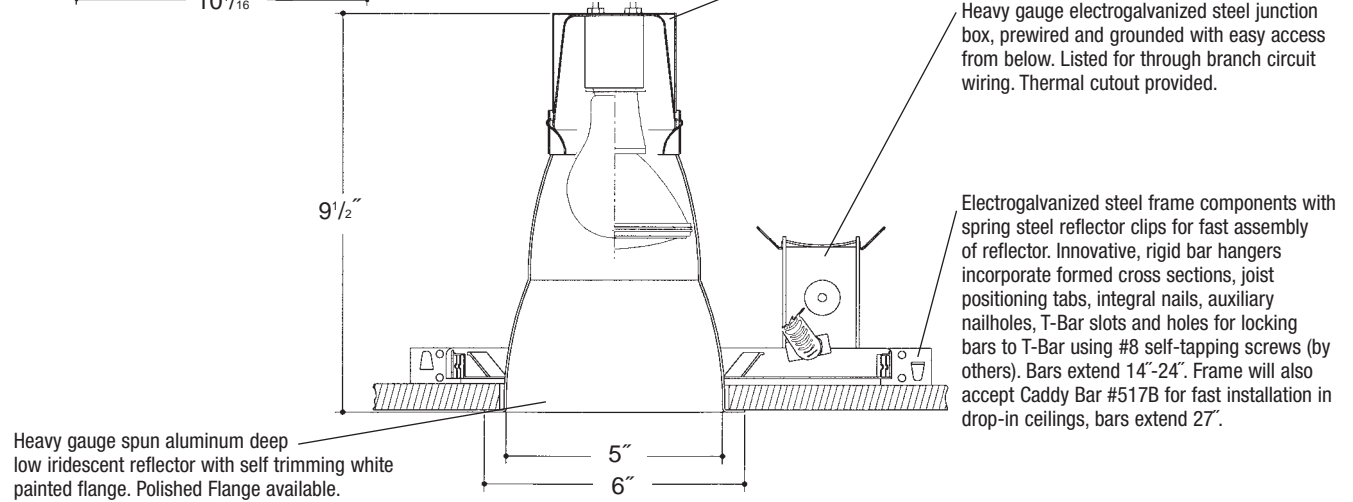


Job Name _____

Type _____



5" DEEP OPEN INCANDESCENT



Aluminum socket cup with spring steel snap-in clips for fast assembly. *UL Listed* medium base porcelain socket, with nickel plated brass screw shell.

Heavy gauge electrogalvanized steel junction box, prewired and grounded with easy access from below. Listed for through branch circuit wiring. Thermal cutout provided.

Electrogalvanized steel frame components with spring steel reflector clips for fast assembly of reflector. Innovative, rigid bar hangers incorporate formed cross sections, joist positioning tabs, integral nails, auxiliary nailholes, T-Bar slots and holes for locking bars to T-Bar using #8 self-tapping screws (by others). Bars extend 14"-24". Frame will also accept Caddy Bar #517B for fast installation in drop-in ceilings, bars extend 27".

Heavy gauge spun aluminum deep low iridescent reflector with self trimming white painted flange. Polished Flange available.

Rough in Kit – 5" Incandescent (150W A21; 75W PAR30)

Catalog Number **5INC** _____

5INC

Wattage

150W MAX. A21
75W PAR30 **§§**

Options

277V SD
R

Options ▲

277V SD
R

Step Down Transformer 277V to 120V Remodeler

§§ Long Neck Only

Finishing Kit – 5" Incandescent Deep Open Reflector

Catalog Number **5500** _____

5500

Finish

SCL
SGO
WHT

Options

PF

Finish (Factory Standard)

SCL Specular Clear "Alzak" with White Flange
SGO Specular Gold "Alzak" with White Flange
WHT White Reflector with White Flange

Options ▲

PF

High Polished Flange

Features

Manufactured and Listed to UL 1598, ETL and CSA standards.
Suitable for Damp Locations
Wet location under covered ceiling



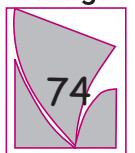
▲ See Options and Finishes pages for a list of additional finishes and equipment.

Vantage reserves the right to change components, finishes or design details in any manner which does not alter the installed appearance or reduce performance and intended function.

05/07

76 Community Avenue Plainfield, CT 06374
voice (860)564.4512 fax (860)564.4854
www.vantageitg.com

Vantage



Luminaires

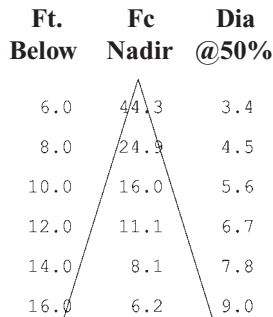
Photometric Information

Product Number: 5INC/5500SCL
Frame In Kit: 5" Vertical Mount Incandescent
Reflector: 5" Vertical Tall Clear "Alzak" Reflector
LTL Test Number: 06020 (PAR30)
Lamp(s) Source: 50W PAR30 LN/CAP/NFL/30-120V
Total Luminaire Efficiency: 93.8%
CIE Type: Direct
Luminaire Spacing Criterion: 0.5
Luminous Diameter: 5.000

Zonal Lumen Summary

| ZONE | LUMENS | %LAMP | %FIXTURE |
|--------|--------|-------|----------|
| 0- 30 | 474 | 79.1 | 84.2 |
| 0- 40 | 507 | 84.4 | 90.0 |
| 0- 60 | 563 | 93.8 | 99.9 |
| 0- 90 | 563 | 93.8 | 100.0 |
| 90-180 | 0 | 0.0 | 0.0 |
| 0-180 | 563 | 93.8 | 100.0 |

Cone of Light



Coefficients of Utilization

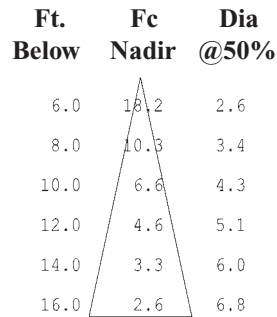
| RC | 80 | | | 70 | | | 50 | | | 30 | | | 10 | | | 0 | | |
|----|-----|-----|-----|-----|-----|-----|-----|-----|-----|-----|-----|-----|-----|-----|----|----|----|----|
| RW | 70 | 50 | 30 | 10 | 70 | 50 | 30 | 10 | 50 | 30 | 10 | 50 | 30 | 10 | 50 | 30 | 10 | 0 |
| 0 | 112 | 112 | 112 | 112 | 109 | 109 | 109 | 109 | 104 | 104 | 104 | 100 | 100 | 100 | 96 | 96 | 96 | 94 |
| 1 | 108 | 106 | 104 | 102 | 106 | 104 | 102 | 101 | 100 | 99 | 98 | 97 | 96 | 95 | 94 | 93 | 92 | 91 |
| 2 | 104 | 101 | 98 | 96 | 102 | 99 | 97 | 95 | 97 | 94 | 93 | 94 | 92 | 91 | 91 | 90 | 89 | 88 |
| 3 | 101 | 97 | 94 | 91 | 100 | 96 | 93 | 90 | 93 | 91 | 89 | 91 | 89 | 87 | 89 | 88 | 86 | 85 |
| 4 | 98 | 93 | 89 | 87 | 97 | 92 | 89 | 86 | 90 | 87 | 85 | 88 | 86 | 84 | 87 | 85 | 83 | 82 |
| 5 | 95 | 89 | 85 | 83 | 94 | 89 | 85 | 82 | 87 | 84 | 82 | 86 | 83 | 81 | 84 | 82 | 80 | 79 |
| 6 | 92 | 86 | 82 | 80 | 91 | 86 | 82 | 79 | 84 | 81 | 79 | 83 | 80 | 78 | 82 | 80 | 78 | 77 |
| 7 | 89 | 83 | 79 | 76 | 88 | 83 | 79 | 76 | 81 | 78 | 76 | 81 | 78 | 75 | 80 | 77 | 75 | 74 |
| 8 | 87 | 80 | 76 | 74 | 86 | 80 | 76 | 73 | 79 | 76 | 73 | 78 | 75 | 73 | 77 | 75 | 73 | 72 |
| 9 | 84 | 78 | 74 | 71 | 83 | 77 | 74 | 71 | 77 | 73 | 71 | 76 | 73 | 71 | 75 | 73 | 70 | 70 |
| 10 | 82 | 75 | 72 | 69 | 81 | 75 | 71 | 69 | 74 | 71 | 69 | 74 | 71 | 69 | 73 | 70 | 68 | 68 |

Product Number: 5INC/5500SCL
Frame In Kit: 5" Vertical Mount Incandescent
Reflector: 5" Vertical Tall Clear "Alzak" Reflector
LTL Test Number: 06650 (A19)
Lamp(s) Source: 100W A19 Rated at 1710 lumens
Total Luminaire Efficiency: 51.0%
CIE Type: Direct
Luminaire Spacing Criterion: 0.4
Luminous Diameter: 5.000

Zonal Lumen Summary

| ZONE | LUMENS | %LAMP | %FIXTURE |
|--------|--------|-------|----------|
| 0- 30 | 297 | 17.4 | 34.0 |
| 0- 40 | 490 | 28.6 | 56.1 |
| 0- 60 | 856 | 50.0 | 98.0 |
| 0- 90 | 873 | 51.0 | 100.0 |
| 90-180 | 0 | 0.0 | 0.0 |
| 0-180 | 873 | 51.0 | 100.0 |

Cone of Light



Coefficients of Utilization

| RC | 80 | | | 70 | | | 50 | | | 30 | | | 10 | | | 0 | | |
|----|----|----|----|----|----|----|----|----|----|----|----|----|----|----|----|----|----|----|
| RW | 70 | 50 | 30 | 10 | 70 | 50 | 30 | 10 | 50 | 30 | 10 | 50 | 30 | 10 | 50 | 30 | 10 | 0 |
| 0 | 61 | 61 | 61 | 61 | 59 | 59 | 59 | 59 | 57 | 57 | 57 | 54 | 54 | 54 | 52 | 52 | 52 | 51 |
| 1 | 57 | 56 | 54 | 53 | 56 | 54 | 53 | 52 | 52 | 51 | 50 | 50 | 50 | 49 | 49 | 48 | 47 | 46 |
| 2 | 54 | 51 | 48 | 46 | 53 | 50 | 48 | 46 | 48 | 46 | 45 | 47 | 45 | 44 | 45 | 44 | 43 | 42 |
| 3 | 50 | 46 | 43 | 41 | 49 | 46 | 43 | 40 | 44 | 42 | 40 | 43 | 41 | 39 | 42 | 40 | 39 | 38 |
| 4 | 47 | 42 | 39 | 36 | 46 | 42 | 38 | 36 | 40 | 38 | 35 | 39 | 37 | 35 | 38 | 36 | 35 | 34 |
| 5 | 44 | 38 | 35 | 32 | 43 | 38 | 34 | 32 | 37 | 34 | 31 | 36 | 33 | 31 | 35 | 33 | 31 | 30 |
| 6 | 40 | 35 | 31 | 28 | 39 | 34 | 31 | 28 | 33 | 30 | 28 | 33 | 30 | 28 | 32 | 29 | 27 | 26 |
| 7 | 37 | 31 | 27 | 24 | 36 | 31 | 27 | 24 | 30 | 27 | 24 | 29 | 26 | 24 | 29 | 26 | 24 | 23 |
| 8 | 34 | 28 | 24 | 21 | 34 | 28 | 24 | 21 | 27 | 24 | 21 | 26 | 23 | 21 | 26 | 23 | 21 | 20 |
| 9 | 32 | 25 | 21 | 19 | 31 | 25 | 21 | 19 | 24 | 21 | 19 | 24 | 21 | 19 | 23 | 21 | 18 | 18 |
| 10 | 29 | 23 | 19 | 16 | 29 | 23 | 19 | 16 | 22 | 19 | 16 | 22 | 18 | 16 | 21 | 18 | 16 | 15 |

