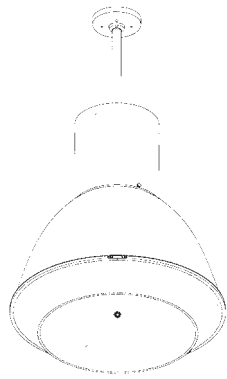


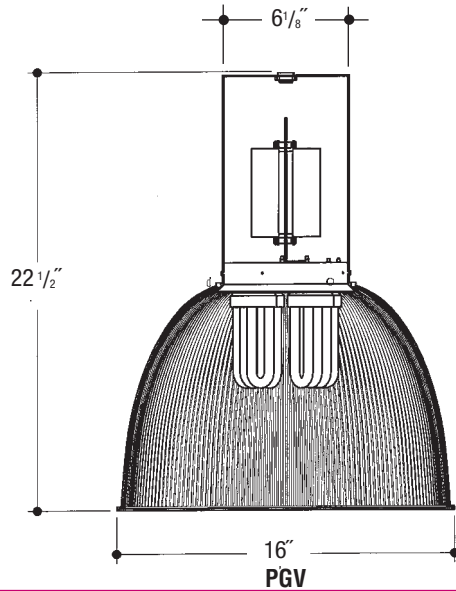
Architectural Pendants

Job Name _____

Type _____

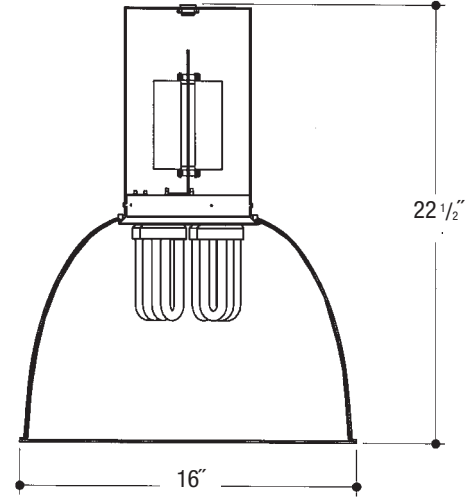


(DL Option Shown)



PGV

**16" LOW BAY
4 LT CFL**



AGV

High Bay – 16" Aluminum, Acrylic or Lexan Prismatic 4-Lamp (Compact Fluorescent PLH, Triple or Quad Tube)

Catalog Number _____

	Lamp Qty. ♦	Wattage	Switch Leg Qty. ✓	Ballast	Voltage	Finish	Options
AGV16LB Aluminum	1	57W* MAX. DT		E	1	WHT	BL HCP
PGV16LB Acrylic	2	42W, 32W PLT	1	DA	2	BLK	DL P-(XX)
	3	26W PLT, DTT	2		3	BZ	CL REM
LGV16LB Lexan	4	18W PLT, DTT			4	CS	WG LP
		13W* DTT				CC	HC SC

- *57W Available in 2 Lamp MAX Only
- ♦ Consult Factory for Maximum Lamp/Wattage Combination.
- ✓ Multiple Switch Legs must be Pendant Mounted.

Specifications

Housing – .064" thick spun aluminum cylinder. Vented for proper ballast operating temperature. Polyester powdercoat exterior finish with factory standard finishes White (WHT), Black (BLK), Bronze (BZ), Camero Silver (CS), Custom Color (CC).

Socket – High temperature, Thermo-plastic lamp base rotates and locks into lamp holder. Vibration and earthquake resistant. *UL Listed.*

Ballast – High frequency 50/60Hz electronic ballast. Thermally protected. Min. starting temperature of -18°C/0°F, with a THD of <10%. End of lamp life circuit protection. Power Factor >96%.

Reflector – Heavy gauge, high purity, spun aluminum. Polyester powdercoat finish.

Refractor – Spectrus Lexalite® prismatic refractor provides excellent efficiency, upright component gives the illuminated space lower contrast and better uniformity. Lexan refractor provides more rugged performance in an abusive environment.

Pendant – Pendant mount accepts slope ceilings with a 45° swivel adjustment. Factory Standard stem length is 12".

Hook, Cord and Plug – Die-Cast aluminum hook, 3-conductor rubber jacketed cable (16/3) and heavy duty Twist-Lock plug with proper NEMA configuration for specified voltage, prewired to ballast. Consult Factory for additional options.

Ballast

E Electronic
DA Dimming - Advance Mark X
* 13 Watt Advance Mark VII Only

Voltage

1 120 Volt
2 277 Volt
3 347 Volt
4 208 Volt

Options ▲

BL Flat, Clear Bottom Lens	P-(XX)	Pendant Mount Swivel Canopy (Specify Length)
DL Drop Prismatic Lens	REM	Remote Emergency Battery (Pendant Only)
CL Conical Lens		
WG Wire Guard		
HC Die-Cast Hook, 16/3 Cord	LP	Lamps
HCP Die-Cast Hook, 16/3 Cord, NEMA Twist Lock Plug	SC	Safety Cable

Reflexor® by LEXALITE®

Features

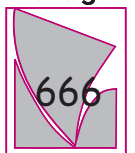
Manufactured and Listed to UL 1598, ETL and CSA standards.
Suitable for Damp Locations
Wet location under covered ceiling



▲ See Options and Accessories page 594 for a list of additional equipment.

Vantage reserves the right to change components, finishes or design details in any manner which does not alter the installed appearance or reduce performance and intended function.

Vantage



Luminaires

76 Community Avenue Plainfield, CT 06374
voice (860) 564.4512 fax (860) 564.4854
www.vantageitg.com

07/07