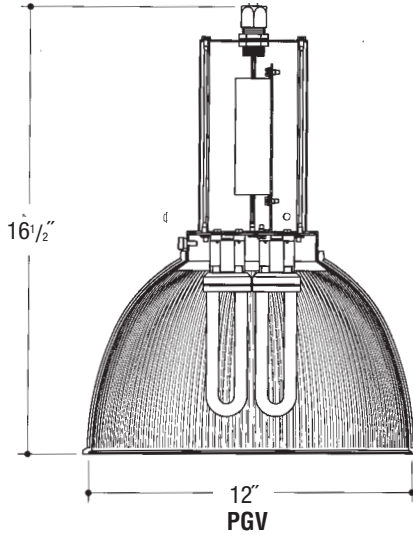
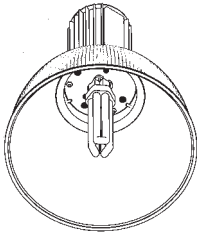
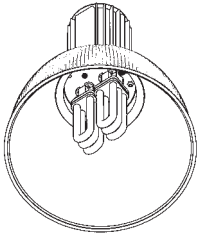


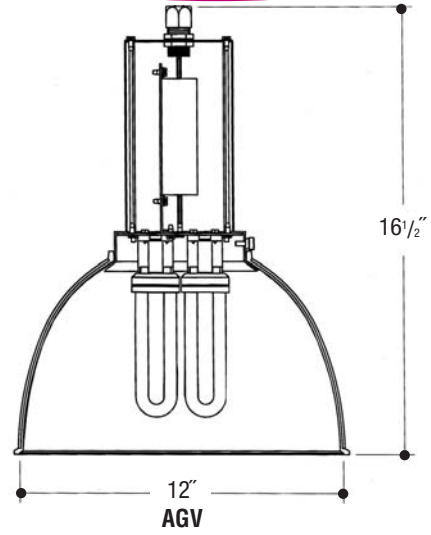
Architectural Pendants

Job Name _____

Type _____



**12" LOW BAY
2 LT CFL**



High Bay – 12" Aluminum, Acrylic or Lexan Prismatic 2-Lamp (Compact Fluorescent, Triple or Quad Tube)

Catalog Number _____

| | Lamp Qty. ♦ | Wattage | Switch Leg Qty. | Ballast | Voltage | Finish | Options |
|----------------------------|-------------|--|-----------------|---------|-------------|-----------------------|---|
| AGV12LB Aluminum | 1 | 42W, 32W PLT | 1 | E | 1 | WHT | BL |
| PGV12LB Acrylic | 2 | 26W PLT, DTT 18W PLT, DTT 13W* DTT | 2 | DA | 2 3 4 | BLK BZ CS CC | DL CL P-(XX) REM LP SC CCCK |
| LGV12LB Lexan | | | | | | | |

♦ Consult Factory for Maximum Lamp/Wattage Combination.

Specifications

Housing – .064" thick spun aluminum cylinder. Vented for proper ballast operating temperature. Polyester powdercoat exterior finish with factory standard finishes White (WHT), Black (BLK), Bronze (BZ), Camero Silver (CS), Custom Color (CC).

Socket – High temperature, Thermo-plastic lamp base rotates and locks into lamp holder. Vibration and earthquake resistant. *UL Listed.*

Ballast – High frequency 50/60Hz electronic ballast. Thermally protected. Min. starting temperature of -18°C/0°F, with a THD of <10%. End of lamp life circuit protection. Power Factor >96%.

Reflector – Heavy gauge, high purity, spun aluminum. Polyester powdercoat finish.

Refractor – Spectrus Lexalite® prismatic refractor provides excellent efficiency, upright component gives the illuminated space lower contrast and better uniformity. Lexan refractor provides more rugged performance in an abusive environment.

Pendant – Pendant mount accepts slope ceilings with a 45° swivel adjustment. Factory Standard stem length is 12".

Coiled Cord and Cable Kit – Provided with canopy and 2 piece coupler as well as strain relief bushing. Cable is 1/16" stainless steel with SJT 18-3 cord. Install over 4" octagonal junction box. Specify length and color (Black or White).

Ballast

| | | |
|----|-------------------------------|----------------------------|
| E | Electronic | |
| DA | Dimming - Advance Mark X | (Available in 1 Lamp only) |
| * | 13 Watt Advance Mark VII Only | (Available in 1 Lamp only) |

Voltage

| | |
|---|----------|
| 1 | 120 Volt |
| 2 | 277 Volt |
| 3 | 347 Volt |
| 4 | 208 Volt |

Options ▲

| | |
|--------|--|
| BL | Flat, Clear Bottom Lens |
| DL | Drop Prismatic Lens |
| CL | Conical Lens |
| P-(XX) | Pendant Mount Swivel Canopy (Specify Length) |
| REM | Remote Emergency Battery (Pendant Only) |
| LP | Lamps |
| SC | Safety Cable |
| CCCK | Coiled Cord and Cable Kit |

Reflexor® by LEXALITE®

Features

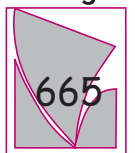
Manufactured and Listed to UL 1598, ETL and CSA standards.
Suitable for Damp Locations
Wet location under covered ceiling



▲ See Options and Accessories page 594 for a list of additional equipment.

Vantage reserves the right to change components, finishes or design details in any manner which does not alter the installed appearance or reduce performance and intended function.

Vantage



Luminaires

76 Community Avenue Plainfield, CT 06374
voice (860) 564.4512 fax (860) 564.4854
www.vantageitg.com

07/07