

Architectural Pendants

Job Name _____

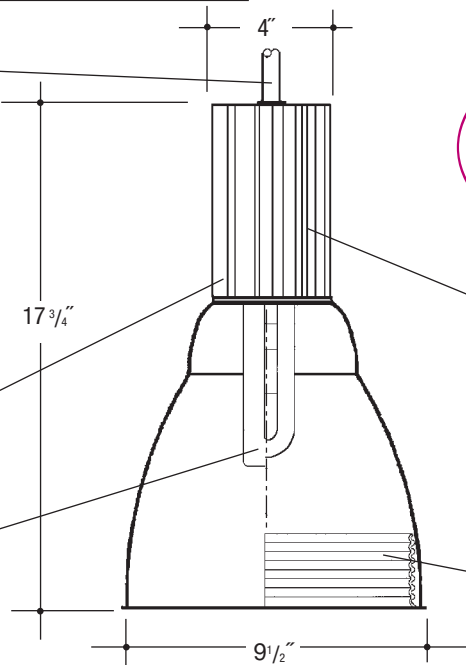
Type _____

Pendant – **P** – Stem mount accepts slope ceilings with a 45° swivel adjustment. Factory Standard stem length is 12".
CK – Cord and Canopy Kit. Factory standard cord length is 72".
CCK – Cord and Cable Kit. Factory standard cord length is 72".
CCCK – Coiled Cord and Cable Kit. Factory standard cord length is 72".

Specify all lengths and Color; White (WHT) or Black (BLK).

High frequency 50/60Hz electronic ballast. Thermally protected. Min. starting temperature of -18°C/0°F, with a THD of <10%. End of lamp life circuit protection. Power Factor >96%.

Compact Fluorescent Triple (4 pin) or Quad (4 pin) Tube.



10" FLUORESCENT ALUMINUM DecoBay

Extruded aluminum 'Finned' heat dissipating housing. (**CS** - Camero Silver color standard)

Heavy gauge spun aluminum reflector with Specular Clear "Alzak" finish or multi-groove baffle. (Exterior color **CS** - Camero Silver standard.)

DecoBay – 10" Vertical Fluorescent Pendant Mounted Spun Aluminum Reflector 1-Lamp (Compact Fluorescent Triple or Quad Tube)

Catalog Number **AGVDB10VF1**

	Wattage	Ballast	Voltage	Reflector Finish	Mounting	Color	Options
AGVDB10VF1	57W MAX. DT 42W PLT 32W PLT 26W DTT, PLT 18W DTT, PLT	E DA	1 2 3 4	SCL SCL/BL	P-_____ CK-_____ CCK-_____ CCCK-_____	WHT BLK BZ CS CC	REM F DD-03

2-Lamp Not Available in Triple Tube

2-Lamp – Replace **AGVDB10VF1** with **AGVDB10VF2**

Electronic Multi-Tap Ballast 120V Thru 277V Factory Standard

Specifications

Housing – Extruded aluminum 'Finned', vented for proper ballast operating temperature. Polyester powdercoat exterior finish with factory standard finishes

White (WHT), Black (BLK), Bronze (BZ), Camero Silver (CS) (Standard), Custom Color (CC).

Socket – High temperature, Thermo-plastic lamp base rotates and locks into lamp holder. Vibration and earthquake resistant. *UL Listed.*

Lamp – Compact Fluorescent Triple (4 pin) or Quad (4 pin) Tube.

Ballast – High frequency 50/60Hz electronic ballast. Thermally protected. Min. starting temperature of -18°C/0°F, with a THD of <10%. End of lamp life circuit protection. Power Factor >96%.

Reflector – Heavy gauge, high purity, specular clear "Alzak", spun aluminum.

Pendant – **P** – Stem mount accepts slope ceilings with a 45° swivel adjustment. Factory Standard stem length is 12". **CK** – Cord and Canopy Kit. Factory standard cord length is 72". **CCK** – Cord and Cable Kit. Factory standard cord length is 72".

CCCK – Coiled Cord and Cable Kit. Factory standard cord length is 72".

Specify all lengths and Color; White (WHT) or Black (BLK).

Ballast ▲

E Electronic (4 Pin Lamp)
DA Dimming - Advance Mark X (4 Pin Lamp)

Voltage

1 120 Volt **3** 347 Volt
2 277 Volt **4** 208 Volt

Reflector Finish ▲

SCL Specular Clear "Alzak"
SCL/BL Specular Clear "Alzak" and Black Baffle

Mounting ▲

P – 3/8" Stem and Swivel Canopy Kit. (Specify stem length-WHT/BLK).
CK – Cord and Canopy Kit. (Specify cord length-WHT/BLK).
CCK – Cord and Cable Kit. (Specify cord and cable length-WHT/BLK).
CCCK – Coiled Cord and Cable Kit. (Specify coiled cord and cable length-WHT/BLK).

Color ▲

WHT White
BLK Black
BZ Bronze
CS Camero Silver (Standard)
CC Custom Color

Options ▲

REM Remote Emergency Battery
F Fused
DD-03 DecoDisc

Features

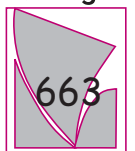
Manufactured and Listed to UL 1598, ETL and CSA standards.
 Suitable for Damp Locations
 Wet location under covered ceiling



▲ See Options and Finishes pages for a list of additional finishes and equipment.

Vantage reserves the right to change components, finishes or design details in any manner which does not alter the installed appearance or reduce performance and intended function.

Vantage



Luminaires

76 Community Avenue Plainfield, CT 06374
 voice (860) 564.4512 fax (860) 564.4854
 www.vantageitg.com

07/07