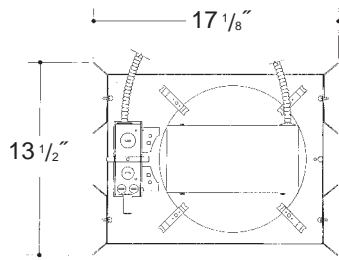


Architectural Pendants Lights

Job Name _____

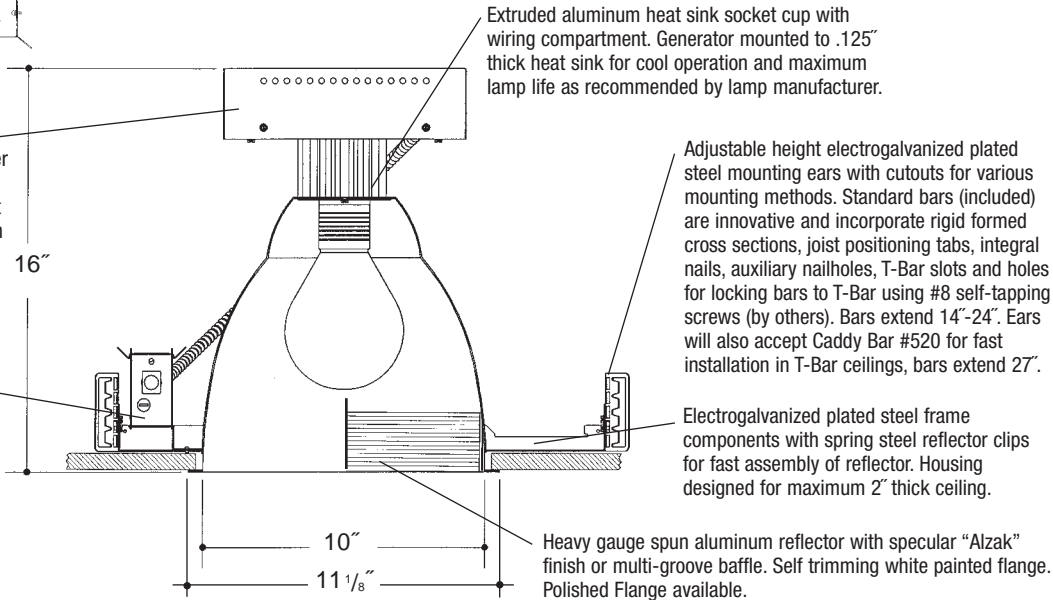
Type _____



10" OPEN OR BAFFLED INDUCTION LOAD

The Philips QL Induction lamp system is UL, FCC and CSA approved. System consists of lamp (supplied with fixture), power coupler and high frequency generator. Lamp positioned for maximum light output with minimal glare and smooth even illumination.

Heavy gauge electrogalvanized steel junction box, prewired and grounded with easy access from below. Listed for through branch circuit wiring. Thermal cutout provided.



Rough in Kit – 10" Induction Load (85W or 55W Philips QL Induction Lamp System).

Catalog Number AQL10

| AQL10 | Wattage | Generator | Voltage | Options |
|-------|----------------|-----------|---------|---------|
| | 85W MAX 55W | E | 1 2 | R |

Generator
E Electronic
 Voltage
1 120 Volts
2 277 Volts
 Options ▲
R Remodeler

Philips QL Induction Lamp included 3000°K standard

Finishing Kit – 10" Induction Open or Open Baffled Reflector

Catalog Number

| | Finish | Options |
|------------------------------|--------------------------------------|---------|
| 10000 Open | SCL SGO | PF |
| 10050 Open Baffled | SCL/BL SGO/BL SCL/WH SGO/WH | |

Finish (Factory Standard)

SCL Specular Clear "Alzak" with White Flange
SGO Specular Gold "Alzak" with White Flange
SCL/BL Specular Clear "Alzak" with White Flange and Black Baffle
SGO/BL Specular Gold "Alzak" with White Flange and Black Baffle
SCL/WH Specular Clear "Alzak" with White Flange and White Baffle
SGO/WH Specular Gold "Alzak" with White Flange and White Baffle

Options ▲
PF High Polished Flange

Features

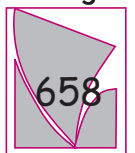
Manufactured and Listed to UL 1598, ETL and CSA standards. Suitable for Damp Locations Wet location under covered ceiling



▲ See Options and Finishes pages for a list of additional finishes and equipment.

Vantage reserves the right to change components, finishes or design details in any manner which does not alter the installed appearance or reduce performance and intended function.

Vantage



Luminaires

76 Community Avenue Plainfield, CT 06374
 voice (860) 564.4512 fax (860) 564.4854
 www.vantageitg.com

07/07