

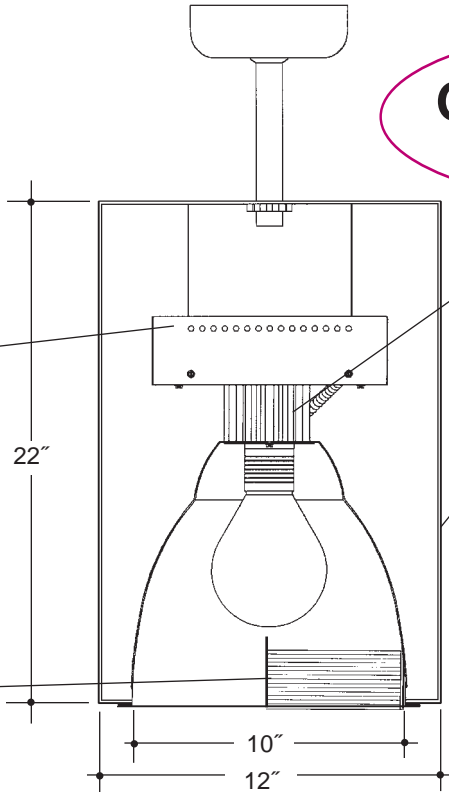
Architectural Pendants

Job Name _____

Type _____

10" OPEN OR BAFFLED INDUCTION LOAD

The Philips QL Induction lamp system is UL, FCC and CSA approved. System consists of lamp (supplied with fixture), power coupler and high frequency generator. Lamp positioned for maximum light output with minimal glare and smooth even illumination.



Extruded aluminum heat sink socket cup with wiring compartment. Generator mounted to .125" thick heat sink for cool operation and maximum lamp life as recommended by lamp manufacturer.

.064" extruded aluminum cylinder. Polyester powdercoat exterior finish with factory standard finishes of White (WHT), Black (BLK), Bronze (BZ), Camero Silver (CS).

Heavy gauge spun aluminum reflector with specular "Alzak" finish or multi-groove baffle. Self trimming white painted flange. Polished Flange standard.

Pendant Mount Shown

Rough in Kit – 10" Induction Load Cylinder (85W or 55W Philips QL Induction Lamp System).

Catalog Number	Wattage	Generator	Voltage	Options	Generator
VC1222QL					E Electronic
VP1222QL	85W MAX	E	1		Voltage
VW1222QL	55W		2		1 120 Volts
					2 277 Volts
					Options ▲

Philips QL Induction Lamp included 3000°K standard

Finishing Kit – Induction Open or Open Baffled Reflector

Catalog Number	Finish	Options	Finish (Factory Standard)
Open	SCL		SCL Specular Clear "Alzak" with White Flange
	SGO		SGO Specular Gold "Alzak" with White Flange
Open Baffled	SCL/BL		SCL/BL Specular Clear "Alzak" with White Flange and Black Baffle
	SGO/BL		SGO/BL Specular Gold "Alzak" with White Flange and Black Baffle
	SCL/WH		SCL/WH Specular Clear "Alzak" with White Flange and White Baffle
	SGO/WH		SGO/WH Specular Gold "Alzak" with White Flange and White Baffle
			Options ▲

Features

Manufactured and Listed to UL 1598, ETL and CSA standards. Suitable for Damp Locations Wet location under covered ceiling



▲ See Options and Finishes pages for a list of additional finishes and equipment.
Vantage reserves the right to change components, finishes or design details in any manner which does not alter the installed appearance or reduce performance and intended function.

76 Community Avenue Plainfield, CT 06374
voice (860)564.4512 fax (860)564.4854
www.vantageitg.com

07/07

