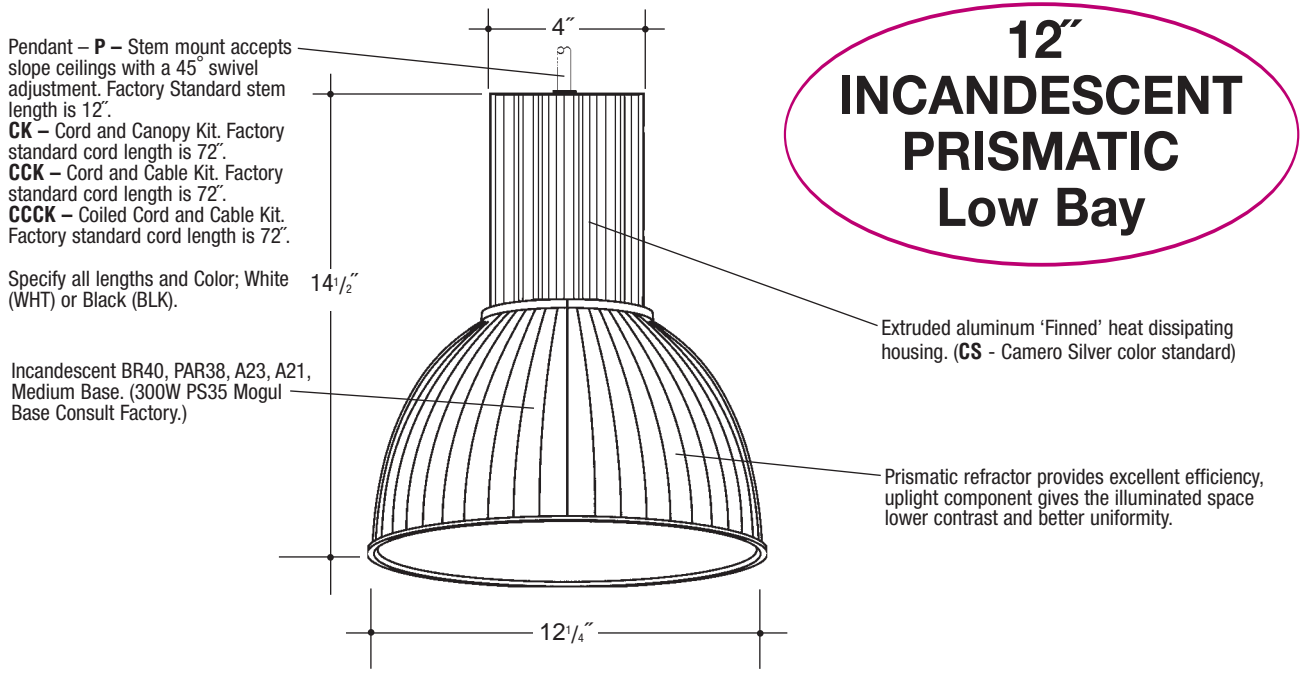


Architectural Pendants

Job Name _____

Type _____



Pendant – P – Stem mount accepts slope ceilings with a 45° swivel adjustment. Factory Standard stem length is 12'.
CK – Cord and Canopy Kit. Factory standard cord length is 72'.
CCK – Cord and Cable Kit. Factory standard cord length is 72'.
CCCK – Coiled Cord and Cable Kit. Factory standard cord length is 72'.

Specify all lengths and Color; White (WHT) or Black (BLK).

Incandescent BR40, PAR38, A23, A21, Medium Base. (300W PS35 Mogul Base Consult Factory.)

**12"
 INCANDESCENT
 PRISMATIC
 Low Bay**

Extruded aluminum 'Finned' heat dissipating housing. (CS - Camero Silver color standard)

Prismatic refractor provides excellent efficiency, upright component gives the illuminated space lower contrast and better uniformity.

DecoBay – 12" Incandescent Pendant Mounted Clear Prismatic Refractor (300W BR40; 250W PAR38; 200W A23; 150W A21).

Catalog Number **PGVLB12INC**

	Wattage	Voltage	Mounting	Color	Options
PGVLB12INC	300W MAX. BR40 250W PAR38 200W A23 150W A21	120	P-_____ CK-_____ CCK-_____ CCCK-_____	WHT BLK BZ CS CC	BL DL CL

Specifications

Housing – Extruded aluminum 'Finned', vented for proper ballast operating temperature. Polyester powdercoat exterior finish with factory standard finishes White (WHT), Black (BLK), Bronze (BZ), Camero Silver (CS) (Standard), Custom Color (CC).

Socket – UL Listed medium or mogul base porcelain socket, with nickel plated brass screw shell.

Lamp – Incandescent BR40, PAR38, A23, A21, Medium Base. (300W PS35 Mogul Base Consult Factory.)

Refractor – Prismatic refractor provides excellent efficiency, upright component gives the illuminated space lower contrast and better uniformity.

Pendant – P – Stem mount accepts slope ceilings with a 45° swivel adjustment. Factory Standard stem length is 12'. **CK** – Cord and Canopy Kit. Factory standard cord length is 72'. **CCK** – Cord and Cable Kit. Factory standard cord length is 72'.

CCCK – Coiled Cord and Cable Kit. Factory standard cord length is 72'. Specify all lengths and Color; White (WHT) or Black (BLK).

Voltage

1 120 Volt

Mounting ▲

P – 3/8" Stem and Swivel Canopy Kit. (Specify stem length-WHT/BLK).
 CK – Cord and Canopy Kit. (Specify cord length-WHT/BLK).
 CCK – Cord and Cable Kit. (Specify cord and cable length-WHT/BLK).
 CCCK – Coiled Cord and Cable Kit. (Specify coiled cord and cable length-WHT/BLK).

Color

WHT White
 BLK Black
 BZ Bronze
 CS Camero Silver (Standard)
 CC Custom Color

Options ▲

BL Flat, Clear Bottom Lens
 DL Drop Prismatic Lens
 CL Conical Lens

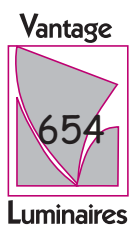
Reflexor® by LEXALITE®

Features

Manufactured and Listed to UL 1598, ETL and CSA standards.
 Suitable for Damp Locations
 Wet location under covered ceiling



▲ See Options and Finishes pages for a list of additional finishes and equipment.
 Vantage reserves the right to change components, finishes or design details in any manner which does not alter the installed appearance or reduce performance and intended function.



76 Community Avenue Plainfield, CT 06374
 voice (860) 564.4512 fax (860) 564.4854
 www.vantageitg.com

08/07