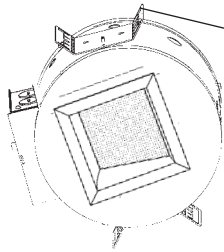


Architectural Geo Series

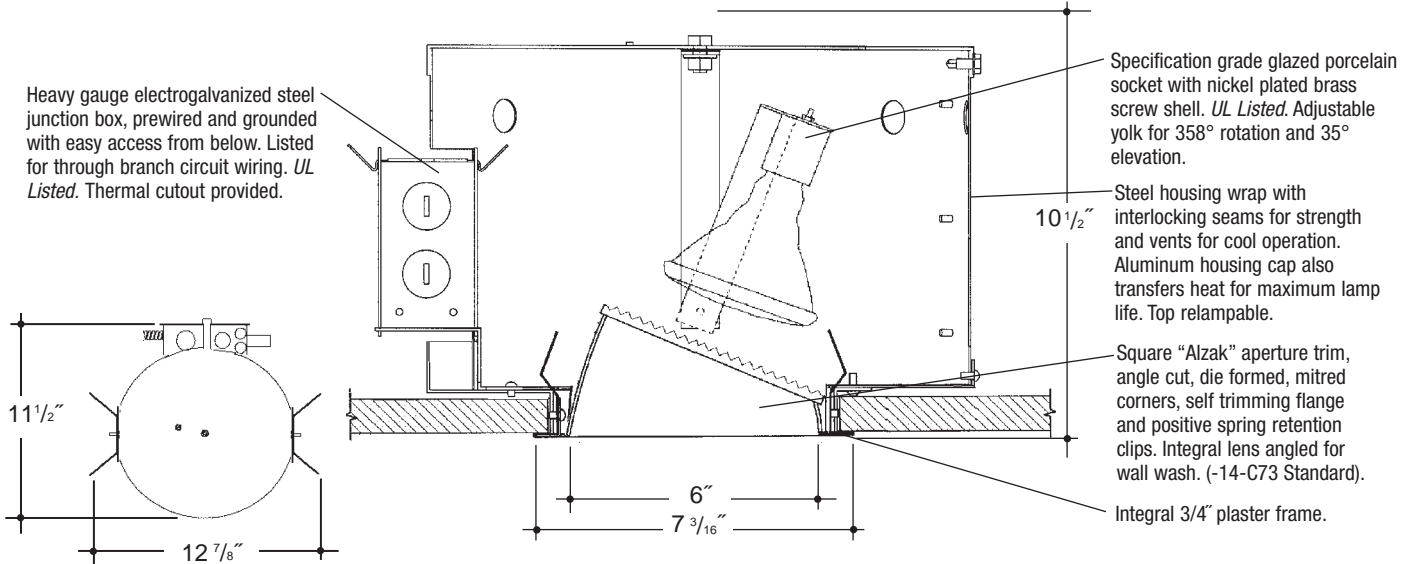
Job Name _____

Type _____



Adjustable height electrogalvanized plated steel mounting ears with cutouts for various mounting methods. Standard bars (included) are innovative and incorporate rigid formed cross sections, joint positioning tabs, integral nails, auxiliary nailholes, T-Bar slots and holes for locking bars to T-Bar using #8 self-tapping screws (by others). Bars extend 14"-24". Ears will also accept Caddy Bar #520 for fast installation in T-Bar ceilings, bars extend 27".

6"x6" PAR38 LENSED WALL WASH SQUARE



Rough In Kit – 6"x6" Square Incandescent Spread Lens Wall Wash (150W PAR38; 120W PAR38; 100W PAR38; 90W PAR38; 75W PAR38)

Catalog Number **VGS66WW-INC-PAR**

VGS66WW-INC-PAR

Wattage

Voltage

Options

Voltage 1
Options ▲ 120 Volts

150W MAX. PAR38
120W PAR38
100W PAR38
90W PAR38
75W PAR38

1

Finishing Kit – 6"x6" Square Angle Cut Spread Lens Wall Wash Reflector

Catalog Number **VGS6637**

VGS6637

Lens

Finish

Options

Finish (Factory Standard)

SCL Specular Clear "Alzak" with White Flange
SGO Specular Gold "Alzak" with White Flange
SGC Soft Glow Clear "Alzak"

-14 C73 (Standard) SCL
-S18 SOLITE SGO
-I532 INDUSTREX SGC

PF

Options ▲
PF High Polished Flange

Features

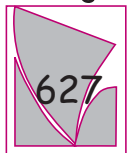
Manufactured and Listed to UL 1598, ETL and CSA standards.
Suitable for Damp Locations
Wet location under covered ceiling



▲ See Options and Finishes pages for a list of additional finishes and equipment.

Vantage reserves the right to change components, finishes or design details in any manner which does not alter the installed appearance or reduce performance and intended function.

Vantage



Luminaires

76 Community Avenue Plainfield, CT 06374
voice (860)564.4512 fax (860)564.4854
www.vantageitg.com

07/07