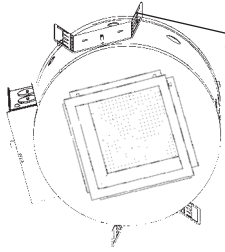


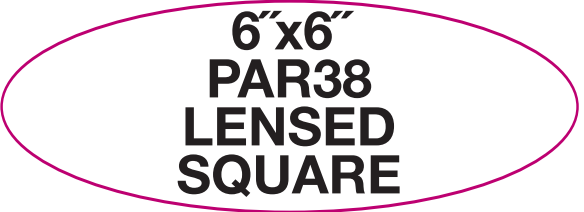
# Architectural Geo Series

Job Name \_\_\_\_\_

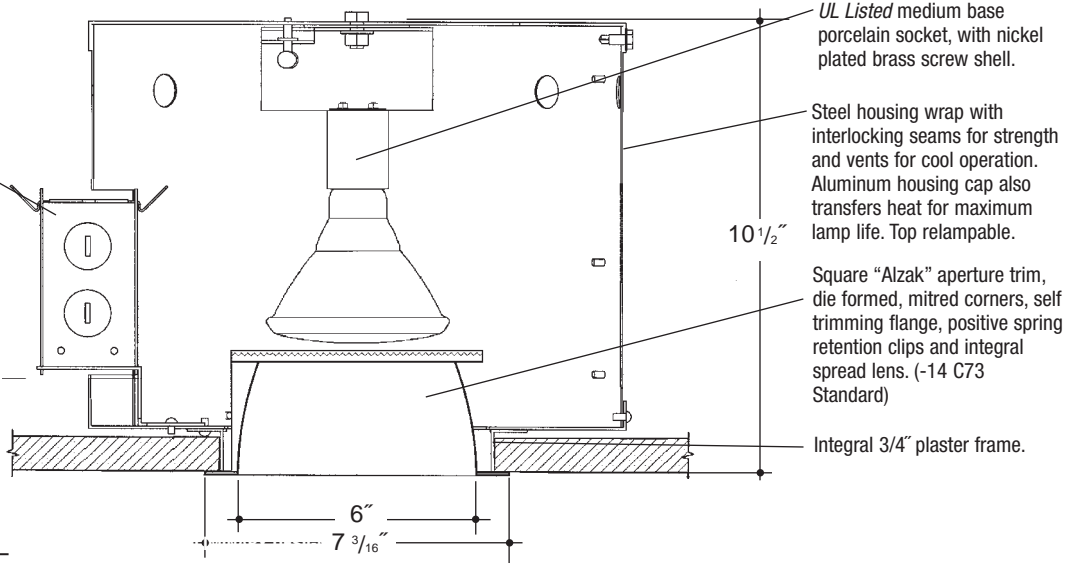
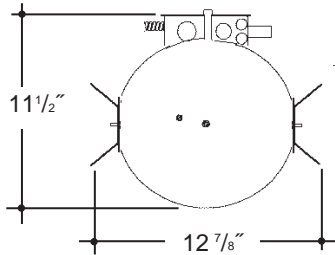
Type \_\_\_\_\_



Adjustable height electrogalvanized plated steel mounting ears with cutouts for various mounting methods. Standard bars (included) are innovative and incorporate rigid formed cross sections, joist positioning tabs, integral nails, auxiliary nailholes, T-Bar slots and holes for locking bars to T-Bar using #8 self-tapping screws (by others). Bars extend 14"-24". Ears will also accept Caddy Bar #520 for fast installation in T-Bar ceilings, bars extend 27".



Heavy gauge electrogalvanized steel junction box, prewired and grounded with easy access from below. Listed for through branch circuit wiring. *UL Listed.* Thermal cutout provided.



## Rough In Kit – 6"x6" Square Incandescent (150W PAR38; 120W PAR38; 100W PAR38; 90W PAR38; 75W PAR38)

Catalog Number **VGS66-INC-PAR38**

**VGS66-INC-PAR38**

**Wattage**

**Voltage**

**Options**

Voltage **1** 120 Volts  
Options ▲

150W MAX. PAR38  
120W PAR38  
100W PAR38  
90W PAR38  
75W PAR38

1

## Finishing Kit – 6"x 6" Square Lensed Reflector

Catalog Number **VGS66-**

**VGS66-**

**Lens**

**Finish**

**Options**

-14 C73 (Standard)  
-S18 SOLITE  
-I532 INDUSTREX

SCL  
SGO  
SGC

PF

Finish (Factory Standard)

**SCL** Specular Clear "Alzak" with White Flange  
**SGO** Specular Gold "Alzak" with White Flange  
**SGC** Soft Glow Clear "Alzak"

Options ▲

**PF** High Polished Flange

### Features

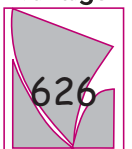
Manufactured and Listed to UL 1598, ETL and CSA standards.  
*Suitable for Damp Locations*  
*Wet location under covered ceiling*



▲ See Options and Finishes pages for a list of additional finishes and equipment.

Vantage reserves the right to change components, finishes or design details in any manner which does not alter the installed appearance or reduce performance and intended function.

Vantage



Luminaires

76 Community Avenue Plainfield, CT 06374  
voice (860)564.4512 fax (860)564.4854  
www.vantageltg.com

07/07