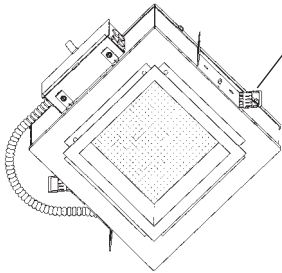


Architectural Geo Series

Job Name _____

Type _____

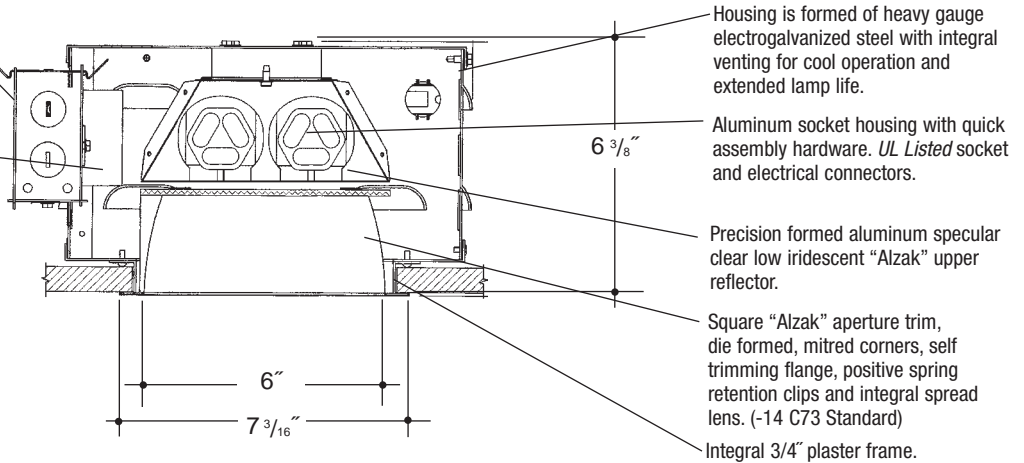
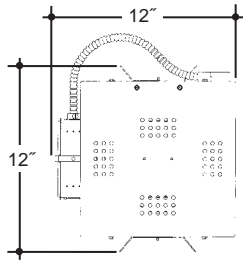


Adjustable height electrogalvanized plated steel mounting ears with cutouts for various mounting methods. Standard bars (included) are innovative and incorporate rigid formed cross sections, joist positioning tabs, integral nails, auxiliary nailholes, T-Bar slots and holes for locking bars to T-Bar using #8 self-tapping screws (by others). Bars extend 14"-24". Ears will also accept Caddy Bar #520 for fast installation in T-Bar ceilings, bars extend 27".

**6"x6"
H.F. 2 LT
LENSED
SQUARE**

Heavy gauge electrogalvanized steel junction box, prewired and grounded with easy access from below. Listed for through branch circuit wiring.

Electronic ballast, Class P, 50/60 HZ-120/277, Programmed Start, thermally protected, 98% Power Factor, 1.00 Ballast Factor, <10% THD, Class A sound rated. Minimum starting temperature -18°C/0°F. *UL Listed* component.



Rough In Kit – 6"x6" Square Horizontal Fluorescent 2-Lamp (Compact Fluorescent Quad Tube)

Catalog Number **VGS66HF2**

VGS66HF2

Wattage	Ballast	Voltage	Options
26W MAX. DTT 18W DTT	E DA DL	1 2 3 4	EM*

Ballast		
E	Electronic	(4 Pin Lamp)
DA	Dimming - Advance Mark X	(4 Pin Lamp)
DL	Dimming - Lutron	(4 Pin Lamp)
Voltage		
1	120 Volts	
2	277 Volts	
3	347 Volts (Electronic Ballast Only)	
4	208 Volts	
Options ▲		
EM*	Emergency Battery	*(TOP COVER REMOVABLE FROM BELOW FOR EM ACCESS)

Electronic Multi-Tap Ballast 120/277V Factory Standard

Finishing Kit – 6"x6" Square Horizontal Lensed Reflector

Catalog Number **VGS66-**

VGS66-

Lens	Finish	Options
-14 C73 (Standard) -S18 SOLITE -I532 INDUSTREX	SCL SGO SGC	PF

Finish (Factory Standard)	
SCL	Specular Clear "Alzak" with White Flange
SGO	Specular Gold "Alzak" with White Flange
SGC	Soft Glow Clear "Alzak"
Options ▲	
PF	High Polished Flange

Features

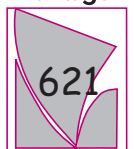
Manufactured and Listed to UL 1598, ETL and CSA standards.
Suitable for Damp Locations
Wet location under covered ceiling



▲ See Options and Finishes pages for a list of additional finishes and equipment.

Vantage reserves the right to change components, finishes or design details in any manner which does not alter the installed appearance or reduce performance and intended function.

Vantage



Luminaires

76 Community Avenue Plainfield, CT 06374
voice (860)564.4512 fax (860)564.4854
www.vantageitg.com

07/07