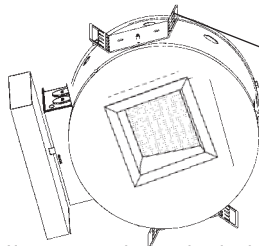


# Architectural Geo Series

Job Name \_\_\_\_\_

Type \_\_\_\_\_

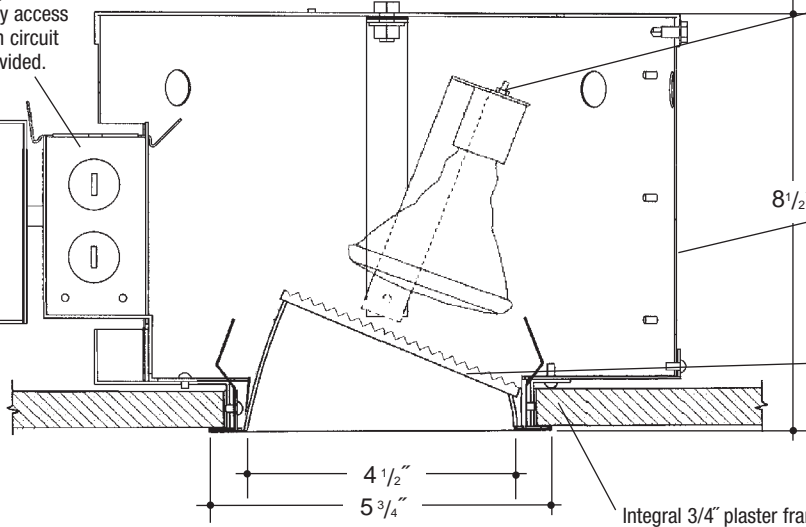
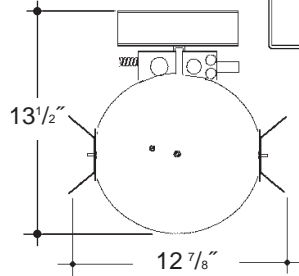


Adjustable height electrogalvanized plated steel mounting ears with cutouts for various mounting methods. Standard bars (included) are innovative and incorporate rigid formed cross sections, joist positioning tabs, integral nails, auxiliary nailholes, T-Bar slots and holes for locking bars to T-Bar using #8 self-tapping screws (by others). Bars extend 14"-24". Ears will also accept Caddy Bar #520 for fast installation in T-Bar ceilings, bars extend 27".

## 4"x4" PAR20/PAR30 M.H. LENSED WALL WASH SQUARE

Heavy gauge electrogalvanized steel junction box, prewired and grounded with easy access from below. Listed for through branch circuit wiring. *UL Listed*. Thermal cutout provided.

Electronic ballast, Class P, 50/60 HZ-120/277, thermally protected, >90% Power Factor, 1.0 Ballast Factor, <15% THD. Class A sound rated. Minimum starting temperature -30°C/-20°F. *UL Listed* component.



*UL Listed*. Specification grade open rated, pulse rated 4KV, porcelain socket with nickel plated brass screw shell. Adjusts for 358° rotation and 35° elevation. High temperature wires connect to junction box.

8 1/2" Steel housing wrap with interlocking seams for strength. Housing is top relampable with screwdriver. Housing cap is aluminum for heat transfer to ensure maximum lamp life.

Square "Alzak" aperture trim, angle cut cone, die formed, mitred corners, self trimming flange and positive spring retention clips. Integral lens angled for wall wash. (-14-C73 Standard).

Integral 3/4" plaster frame.

### Rough in Kit – 4.5"x4.5" Metal Hailde Adjustable Wall Wash (PAR30; PAR20 Enclosed Rated\* Lamps) \*Note: 'Enclosed Fixture Rated' lamp must be used.

Catalog Number **VGS44-MHO-ADJ-WW**

**VGS44-MHO-ADJ-WW**

Wattage

Ballast

Voltage

Options

Options  
E Electronic  
Voltage  
1 120 Volts  
2 277 Volts  
4 208 Volts  
Options ▲

70W MAX. PAR30  
50W PAR30  
35/39W PAR20, PAR30

E

1

2

4

### Finishing Kit – 4.5"x4.5" Square Angle Cut Spread Lens Wall Wash Reflector

Catalog Number **VGS4437**

**VGS4437**

Lens

Finish

Options

-14 (C73)  
-S18 (SOLITE)  
-I532 (INDUSTREX)

SCL  
SGO  
SGC

PF

Options ▲  
PF

High Polished Flange

Finish (Factory Standard)

SCL Specular Clear "Alzak" with White Flange  
SGO Specular Gold "Alzak" with White Flange  
SGC Soft Glow Clear "Alzak"

#### Features

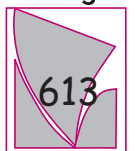
Manufactured and Listed to UL 1598, ETL and CSA standards.  
Suitable for Damp Locations  
Wet location under covered ceiling



▲ See Options and Finishes pages for a list of additional finishes and equipment.

Vantage reserves the right to change components, finishes or design details in any manner which does not alter the installed appearance or reduce performance and intended function.

Vantage



Luminaires

76 Community Avenue Plainfield, CT 06374  
voice (860)564.4512 fax (860)564.4854  
www.vantageitg.com

07/07