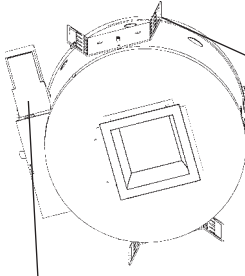


Architectural Geo Series

Job Name _____

Type _____

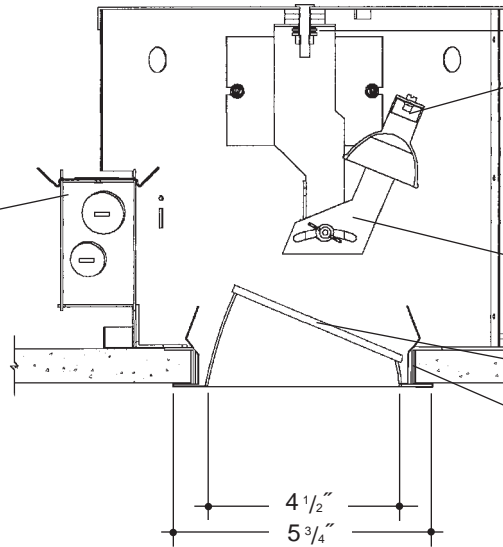
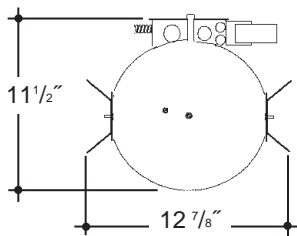


Adjustable height electrogalvanized plated steel mounting ears with cutouts for various mounting methods. Standard bars (included) are innovative and incorporate rigid formed cross sections, joist positioning tabs, integral nails, auxiliary nailholes, T-Bar slots and holes for locking bars to T-Bar using #8 self-tapping screws (by others). Bars extend 14"-24". Ears will also accept Caddy Bar #520 for fast installation in T-Bar ceilings, bars extend 27".

**4"x4"
LOW VOLTAGE
ADJUSTABLE
SQUARE**

Electronic 75VA 120V or 277V primary, 12V secondary. Removable from below. *UL Listed* component.

Heavy gauge electrogalvanized steel junction box, prewired and grounded with easy access from below. Listed for through branch circuit wiring.



UL Listed socket with 450°C high temperature leads. Lamp holder designed to accept several different types of lens accessories, clear tempered lens standard. (See Options)

Steel housing wrap with interlocking seams for strength and vents for cool operation. Aluminum housing cap also transfers heat for maximum lamp life. Top relampable.

Positive locking, adjustable yolk assembly 45° vertical and 350° horizontal adjustment.

Square "Alzak" aperture trim, angle cut, die formed, mitred corners, self trimming flange and positive spring retention clips.

Integral 3/4" plaster frame.

Rough In Kit – 4.5" x 4.5" Square Low Voltage Adjustable (75W MR16; 50W MR16)

Catalog Number **VGS44ADJ-LV-MR16**

VGS44ADJ-LV-MR16

Wattage

Transformer

Voltage

Options

75W MAX. MR16
50W MR16

E

1
2

Transformer
E
Voltage
1
2
Options ▲

Electronic
120 Volts
277 Volts

Must Specify Lamping

Finishing Kit – 4.5" x 4.5" Square Angle Cut Open Reflector

Catalog Number **VGS4430**

VGS4430

Finish

Options

Lamp Lens Options

SCL
SGO
SGC

PF

14
S18
I532

Finish (Factory Standard)

SCL Specular Clear "Alzak" with White Flange
SGO Specular Gold "Alzak" with White Flange
SGC Soft Glow Clear "Alzak"

Options ▲

PF High Polished Flange

Lamp Lens Options

14 C73 Lens (Standard)
S18 Solite Lens
I532 Industrex Lens

Features

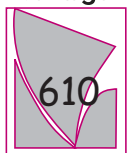
Manufactured and Listed to UL 1598, ETL and CSA standards.
Suitable for Damp Locations
Wet location under covered ceiling



▲ See Options and Finishes pages for a list of additional finishes and equipment.

Vantage reserves the right to change components, finishes or design details in any manner which does not alter the installed appearance or reduce performance and intended function.

Vantage



Luminaires

76 Community Avenue Plainfield, CT 06374
voice (860)564.4512 fax (860)564.4854
www.vantageitg.com

07/07