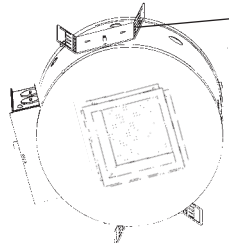


Architectural Geo Series

Job Name _____

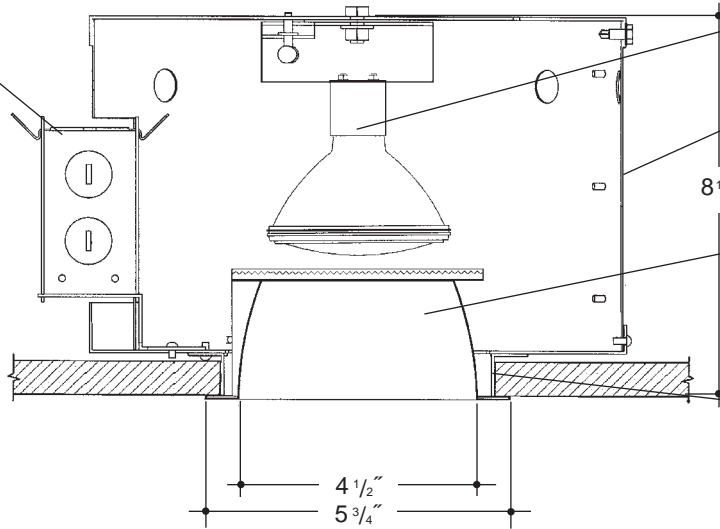
Type _____



Adjustable height electrogalvanized plated steel mounting ears with cutouts for various mounting methods. Standard bars (included) are innovative and incorporate rigid formed cross sections, joist positioning tabs, integral nails, auxiliary nailholes, T-Bar slots and holes for locking bars to T-Bar using #8 self-tapping screws (by others). Bars extend 14"-24". Ears will also accept Caddy Bar #520 for fast installation in T-Bar ceilings, bars extend 27".

4"x4"
PAR20/PAR30
LENSED
SQUARE

Heavy gauge electrogalvanized steel junction box, prewired and grounded with easy access from below. Listed for through branch circuit wiring. *UL Listed.* Thermal cutout provided.

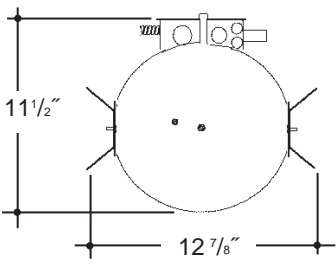


UL Listed medium base porcelain short neck socket, with nickel plated brass screw shell.

Steel housing wrap with interlocking seams for strength and vents for cool operation. Aluminum housing cap also transfers heat for maximum lamp life. Top relampable.

Square "Alzak" aperture trim, die formed, mitred corners, self trimming flange, positive spring retention clips and integral spread lens. (-14 C73 Standard)

Integral 3/4" plaster frame.



Rough In Kit – 4.5" x 4.5" Square Incandescent (75W PAR30; 50W PAR20; 75W PAR16)

Catalog Number **VGS44-INC-PAR**

VGS44-INC-PAR

Wattage	Voltage	Options
75W MAX. PAR30 50W PAR20 75W PAR16	120	277V SD

Options ▲
277V SD Step Down Transformer 277V to 120V

Must Specify Lamping

Finishing Kit – 4.5"x4.5" Square Lensed Reflector

Catalog Number **VGS44-**

VGS44-

Lens	Finish	Options
-14 C73 (Standard) -S18 SOLITE -I532 INDUSTREX	SCL SGO SGC	PF

Finish (Factory Standard)
SCL Specular Clear "Alzak" with White Flange
SGO Specular Gold "Alzak" with White Flange
SGC Soft Glow Clear "Alzak"

Options ▲
PF High Polished Flange

Features

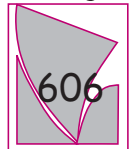
Manufactured and Listed to UL 1598, ETL and CSA standards.
Suitable for Damp Locations
Wet location under covered ceiling



▲ See Options and Finishes pages for a list of additional finishes and equipment.

Vantage reserves the right to change components, finishes or design details in any manner which does not alter the installed appearance or reduce performance and intended function.

Vantage



76 Community Avenue Plainfield, CT 06374
voice (860)564.4512 fax (860)564.4854
www.vantageitg.com

07/07

Luminaires