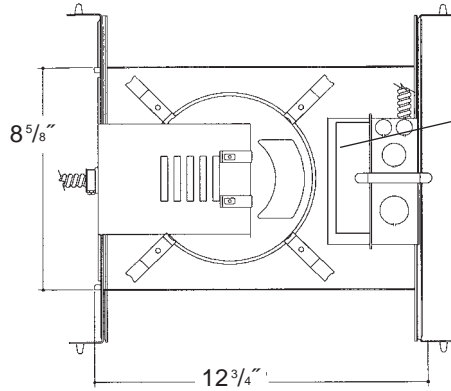


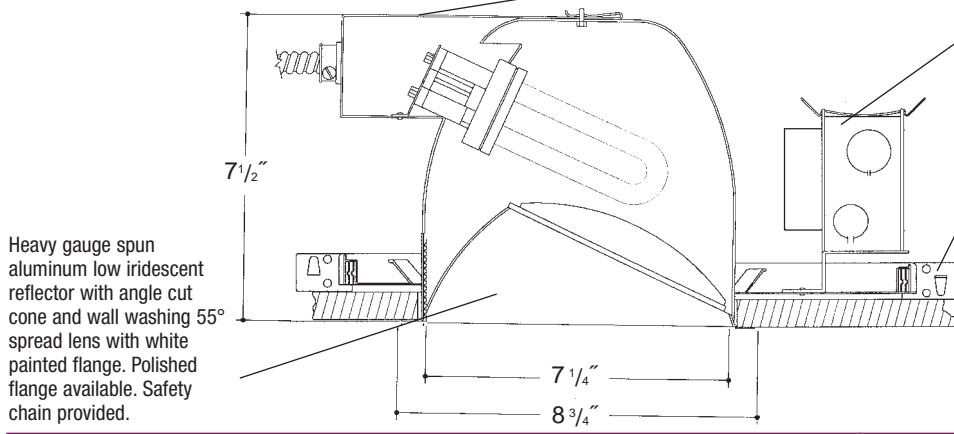
Job Name \_\_\_\_\_

Type \_\_\_\_\_



Electronic ballast, Class P, 50/60 HZ-120/277, Programmed Start, thermally protected, 98% Power Factor, 1.00 Ballast Factor, <10% THD, Class A sound rated. Minimum starting temperature -18°C/0°F. *UL Listed* component.

## 8" H.F. 2 LT SPREAD LENS WALL WASH TRIPLE TUBE



Heavy gauge spun aluminum low iridescent reflector with angle cut cone and wall washing 55° spread lens with white painted flange. Polished flange available. Safety chain provided.

Aluminum socket housing with zinc plated steel quick assembly hardware. Socket angled for proper lamp orientation. *UL Listed* socket and electrical connectors.

Heavy gauge electrogalvanized steel junction box, prewired and grounded with easy access from below. Listed for through branch circuit wiring.

Electrogalvanized steel frame components with spring steel reflector clips for fast assembly of reflector. Innovative, rigid bar hangers incorporate formed cross sections, joist positioning tabs, integral nails, auxiliary nailholes, T-Bar slots and holes for locking bars to T-Bar using #8 self-tapping screws (by others). Bars extend 14"-24". Frame will also accept Caddy Bar #517B for fast installation in drop-in ceilings, bars extend 27".

### Rough in Kit – 8" Angled Horizontal Fluorescent 2-Lamp (Compact Fluorescent Triple Tube)

Catalog Number **8AHF2**

**8AHF2**

Wattage	Ballast	Voltage	Options
42W MAX. PLT	E	1	EM
32W PLT	DA	2	F
26W PLT	DL	3	R
18W PLT		4	PR

Ballast		
<b>E</b>	Electronic	(4 Pin Lamp)
<b>DA</b>	Dimming - Advance Mark X	(4 Pin Lamp)
<b>DL</b>	Dimming - Lutron	(4 Pin Lamp)
Voltage		
<b>1</b>	120 Volts	
<b>2</b>	277 Volts	
<b>3</b>	347 Volts (Electronic Ballast only)	
<b>4</b>	208 Volts (Electronic Ballast Only)	
Options ▲		
<b>EM</b>	Emergency Battery	
<b>F</b>	Fused	
<b>R</b>	Remodeler	
<b>PR</b>	Plaster Ring	

Electronic Multi-Tap Ballast 120V Thru 277V Factory Standard

### Finishing Kit – 8" Horizontal Fluorescent Angle Cut "Alzak" Cone 55° Spread Lens Wall Washer

Catalog Number **8639**

**8639**

Finish	Options
SCL	PF
SGO	
WHT	

Finish (Factory Standard)	
<b>SCL</b>	Specular Clear "Alzak" with White Flange
<b>SGO</b>	Specular Gold "Alzak" with White Flange
<b>WHT</b>	White Reflector with White Flange
Options ▲	
<b>PF</b>	High Polished Flange

#### Features

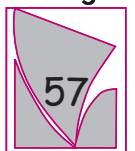
Manufactured and Listed to UL 1598, ETL and CSA standards. Suitable for Damp Locations Wet location under covered ceiling



▲ See Options and Finishes pages for a list of additional finishes and equipment.

Vantage reserves the right to change components, finishes or design details in any manner which does not alter the installed appearance or reduce performance and intended function.

**Vantage**



**Luminaires**

76 Community Avenue Plainfield, CT 06374  
voice (860)564.4512 fax (860)564.4854  
www.vantageitg.com

06/07