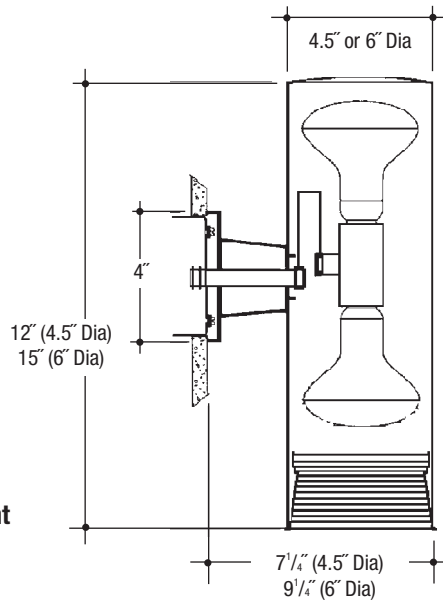
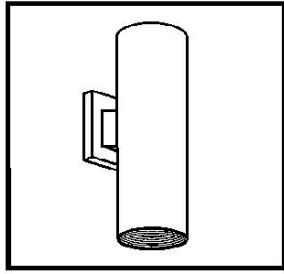


# Architectural Cylinders

Job Name \_\_\_\_\_

Type \_\_\_\_\_



**4.5" OR 6"  
OPEN OR BAFFLED  
INCANDESCENT  
UP/DOWN**

**VW4512INC – Wall Mount**

**VW615INC – Wall Mount**

**Cylinder – Wall Mounted Incandescent Up/Down (PAR30; BR40 Lamp) Specular Clear “Alzak” Cone or Step Baffle**

Catalog Number

	Wattage	Voltage	Finish	Reflector
<b>VW4512INC</b>	85W MAX. BR30 75W PAR30	1	WHT BLK BZ	BL WH SCL
<b>VW615INC</b>	120W MAX. BR40 100W PAR30			

**Specifications**

**Housing** – .064" thick spun aluminum cylinder. Polyester powdercoat exterior finish with factory standard finishes White (WHT), Black (BLK), Bronze (BZ).

**Socket**– Pulse Rated, glazed porcelain, medium base with nickel plated brass screw shell. *UL Listed.*

**Reflector** – Heavy gauge hand spun aluminum cone with a specular “Alzak” finish or Phenolic Step Baffle. Convex sealed, tempered lens up.

**Wall Bracket** – Cast Aluminum Construction.

**Voltage**

1 120 Volt

**Reflector Options ▲**

BL Black Step Baffle  
WH White Step Baffle  
SCL Specular Clear “Alzak” cone

**Features**

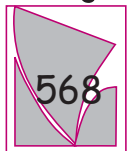
Manufactured and Listed to UL 1598, ETL and CSA standards. *Suitable for Wet Locations*



▲ See Options and Finishes pages for a list of additional finishes and equipment.

Vantage reserves the right to change components, finishes or design details in any manner which does not alter the installed appearance or reduce performance and intended function.

Vantage



Luminaires

76 Community Avenue Plainfield, CT 06374  
voice (860) 564.4512 fax (860) 564.4854  
www.vantageitg.com

06/07