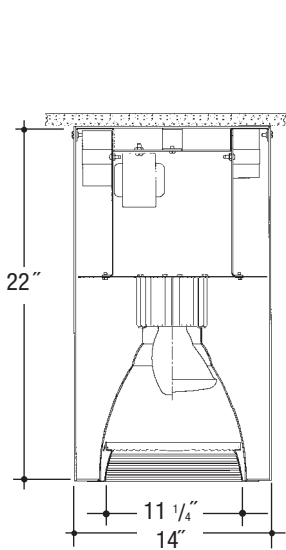


Architectural Cylinders

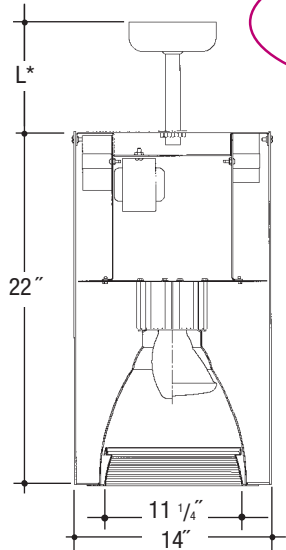
Job Name _____

Type _____

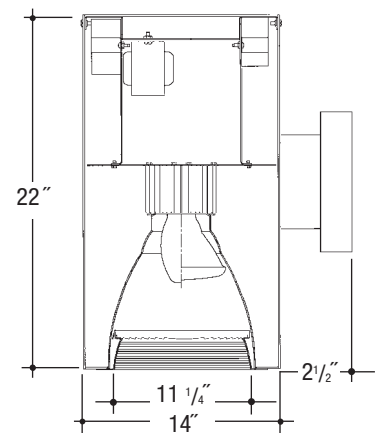
**14"x22"
LENSED BAFFLED
HID**



VC1422MH – Ceiling Mount



VP1422MH – Pendant Mount



VW1422MH – Wall Mount

Cylinder – HID (ED28; ED17; PAR38 Enclosed Rated* Lamp). *Note: 'Enclosed Fixture Rated' lamp must be used. Specular Clear "Alzak" Reflector Lensed and Baffled

Catalog Number

Catalog Number	Wattage	Ballast	Voltage	Finish	Splay	Lens	Options
VC1422MHE							
VP1422MHE							
VW1422MHE	250W MAX. ED28** 175W ED17 150W PAR38, ED17 100W PAR38, ED17	E	1 2 3 4	WHT BLK BZ CS	SCL/BL SCL/WH	11 14 16	QR QS

For PAR Lamp – Replace **VC1422MHE** with **VC1422MHEP**
Mogul Base – Replace **VC1422MHE** with **VC1422MHEM**
HPS – Replace **MH** with **HPS-VC1422HPSE**
****HPS** – High Pressure Sodium available up to 250 Watt ED18 Mogul Base.

Specifications

Housing – .064" extruded aluminum cylinder. Polyester powdercoat exterior finish with factory standard finishes of White (WHT), Black (BLK), Bronze (BZ), Camero Silver (CS).

Socket – Open Rated, Pulse Rated, 4KV, medium or mogul base porcelain with nickel plated brass screw shell.

Ballast – 50/60Hz Multi-tap electronic ballast to operate from range of 120V to 277V +/- 10%. Minimum starting temperature of -30°C/-20°F. *UL Listed* component.

Reflector – Heavy gauge hand spun aluminum reflector with a specular clear "Alzak" finish and baffled splay/lens holder. (Factory Standard) Flange painted to match cylinder color.

Pendant – Pendant mount accepts slope ceilings with a 45° swivel adjustment. L* – Factory Standard stem length is 12".

Wall Bracket – Cast Aluminum Construction.

Voltage

- 1 120 Volt
- 2 277 Volt
- 3 347 Volt
- 4 208 Volt

Ballast

- E Electronic

Splay/Lens Options ▲

- 11 Tempered Clear Lens
- 14 Tempered C73 Prismatic Lens
- 16 Tempered Fresnel Lens
- SCL/BL Black Baffle
- SCL/WH White Baffle

Options ▲

- QR Quartz Restrike
- QS Quartz Socket

Features

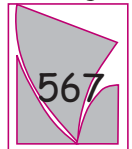
Manufactured and Listed to UL 1598, ETL and CSA standards. Suitable for Damp Locations Wet location under covered ceiling



▲ See Options and Finishes pages for a list of additional finishes and equipment.

Vantage reserves the right to change components, finishes or design details in any manner which does not alter the installed appearance or reduce performance and intended function.

Vantage



Luminaires

76 Community Avenue Plainfield, CT 06374
 voice (860) 564.4512 fax (860) 564.4854
 www.vantageitg.com

07/07