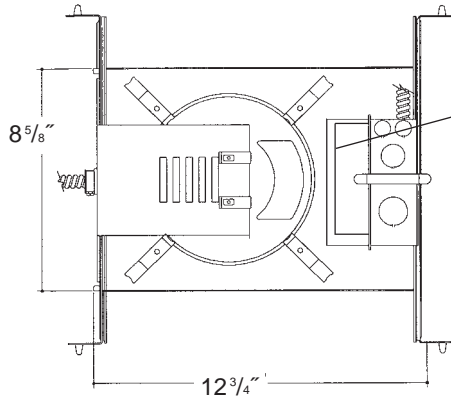


C o m m e r c i a l G r a d e

Job Name _____

Type _____

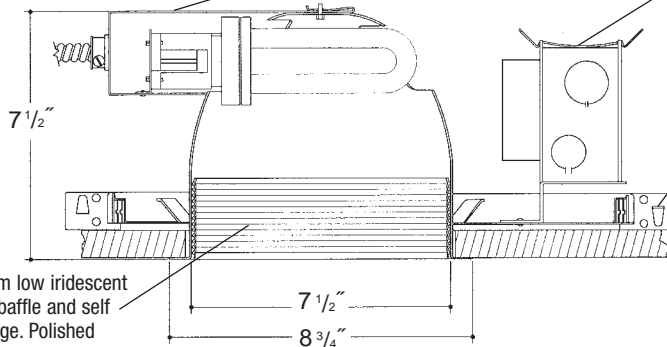


Electronic ballast, Class P, 50/60 HZ-120/277, Programmed Start, thermally protected, 98% Power Factor, 1.00 Ballast Factor, <10% THD, Class A sound rated. Minimum starting temperature -18°C/0°F. *UL Listed* component.

8" H.F. 2 LT OPEN BAFFLED TRIPLE TUBE

Aluminum socket housing with quick assembly hardware for fast assembly. *UL Listed* socket and electrical connectors.

Heavy gauge electrogalvanized steel junction box, prewired and grounded with easy access from below. Listed for through branch circuit wiring.



Electrogalvanized steel frame components with spring steel reflector clips for fast assembly of reflector. Innovative, rigid bar hangers incorporate formed cross sections, joint positioning tabs, integral nails, auxiliary nailholes, T-Bar slots and holes for locking bars to T-Bar using #8 self-tapping screws (by others). Bars extend 14"-24". Frame will also accept Caddy Bar #517B for fast installation in drop-in ceilings, bars extend 27".

Heavy gauge spun aluminum low iridescent reflector with multi-groove baffle and self trimming white painted flange. Polished Flange available.

Rough in Kit – 8" Horizontal Fluorescent 2-Lamp (Compact Fluorescent Triple Tube)

Catalog Number **8HF2**

8HF2	Wattage	Ballast	Voltage	Options
	42W MAX. PLT	E	1	EM
	32W PLT	DA	2	F
	26W PLT	DL	3	R
	18W PLT		4	EMI

Ballast		
E	Electronic	(4 Pin Lamp)
DA	Dimming - Advance Mark X	(4 Pin Lamp)
DL	Dimming - Lutron	(4 Pin Lamp)
Voltage		
1	120 Volts	
2	277 Volts	
3	347 Volts (Electronic Ballast only)	
4	208 Volts (Electronic Ballast Only)	
Options ▲		
EM	Emergency Battery	
F	Fused	
R	Remodeler	
EMI	Internal Mounted Emergency Test Switch	

Electronic Multi-Tap Ballast 120V Thru 277V Factory Standard

Finishing Kit – 8" Horizontal Fluorescent Open Baffled Reflector

Catalog Number **8651**

8651	Finish	Options
	SCL/BL	PF
	SGO/BL	
	SCL/WH	
	SGO/WH	
	WHT/WH	
	WHT/BL	

Finish (Factory Standard)

SCL/BL	Specular Clear "Alzak" with White Flange and Black Baffle
SGO/BL	Specular Gold "Alzak" with White Flange and Black Baffle
SCL/WH	Specular Clear "Alzak" with White Flange and White Baffle
SGO/WH	Specular Gold "Alzak" with White Flange and White Baffle
WHT/WH	White Reflector with White Flange and White Baffle
WHT/BL	White Reflector with White Flange and Black Baffle

Options ▲

PF	High Polished Flange
----	----------------------

Features

Manufactured and Listed to UL 1598, ETL and CSA standards. Suitable for Damp Locations. Wet location under covered ceiling



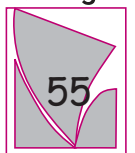
▲ See Options and Finishes pages for a list of additional finishes and equipment.

Vantage reserves the right to change components, finishes or design details in any manner which does not alter the installed appearance or reduce performance and intended function.

06/07

76 Community Avenue Plainfield, CT 06374
 voice (860)564.4512 fax (860)564.4854
 www.vantageltg.com

Vantage



Luminaires