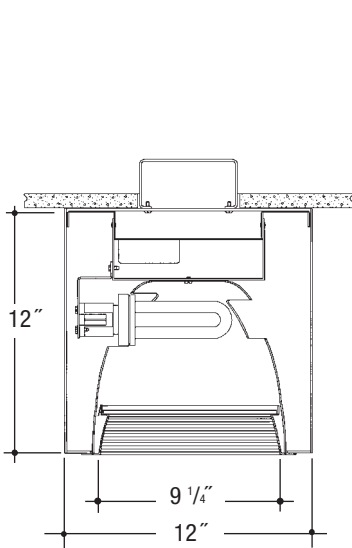


# Architectural Cylinders

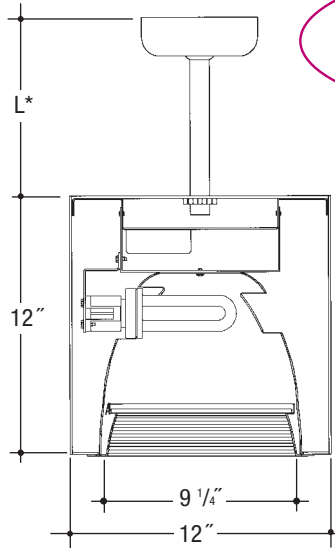
Job Name \_\_\_\_\_

Type \_\_\_\_\_

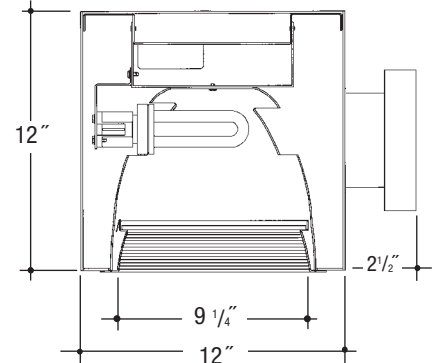
**12"x12" H.F.  
LENSED BAFFLED**



**VC1212HF2 – Ceiling Mount**



**VP1212HF2 – Pendant Mount**



**VW1212HF2 – Wall Mount**

**Cylinder – Horizontal Fluorescent 2-Lamp (Compact Fluorescent Triple or Quad Tube) Specular Clear "Alzak" Reflector Lensed Baffled**

Catalog Number

	Wattage	Ballast	Voltage	Finish	Splay	Lens	Options
<b>VC1212HF2</b>	42W MAX. PLT 32W PLT 26W DTT, PLT	E	1	WHT	SCL/BL	11	REM
<b>VP1212HF2</b>		DA	2	BLK	SCL/WH	14	WL
<b>VW1212HF2</b>			3	BZ		16	
			4	CS			

Electronic Multi-Tap Ballast 120 Thru 277V Factory Standard

### Specifications

**Housing** – .064" thick spun aluminum cylinder. Polyester powdercoat exterior finish with factory standard finishes White (WHT), Black (BLK), Bronze (BZ), Camero Silver (CS).

**Socket** – Thermo-plastic and positive locking. *UL Listed.*

**Ballast** – Electronic ballast, Class P, 50/60 HZ-120/277, Programmed Start, thermally protected, 98% Power Factor, 1.00 Ballast Factor, <10% THD, Class A sound rated.

Minimum starting temperature -18°C/0°F.

*UL Listed* component.

**Reflector** – Heavy gauge hand spun aluminum reflector with a specular clear "Alzak" low iridescent finish and baffled splay/lens holder. (Factory Standard).

**Pendant** – Pendant mount accepts slope ceilings with a 45° swivel adjustment.

L\* – Factory Standard stem length is 12".

**Wall Bracket** – Cast Aluminum Construction.

### Voltage

1	120 Volt
2	277 Volt
3	347 Volt
4	208 Volt

### Ballast

E	Electronic	(4 Pin Lamp)
DA	Advance Mark X Dimming	(4 Pin Lamp)

### Splay/Lens Options ▲

11	Tempered Clear Lens
14	Tempered C73 Prismatic Lens
16	Tempered Fresnel Lens
SCL/BL	Black Baffle
SCL/WH	White Baffle

### Options ▲

REM	Remote Emergency Battery
WL	Suitable for Wet Locations

### Features

Manufactured and Listed to UL 1598, ETL and CSA standards.

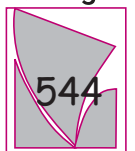
*Suitable for Damp Locations  
Wet location under covered ceiling*



▲ See Options and Finishes pages for a list of additional finishes and equipment.

Vantage reserves the right to change components, finishes or design details in any manner which does not alter the installed appearance or reduce performance and intended function.

Vantage



Luminaires

76 Community Avenue Plainfield, CT 06374  
voice (860) 564.4512 fax (860) 564.4854  
www.vantageitg.com

06/07