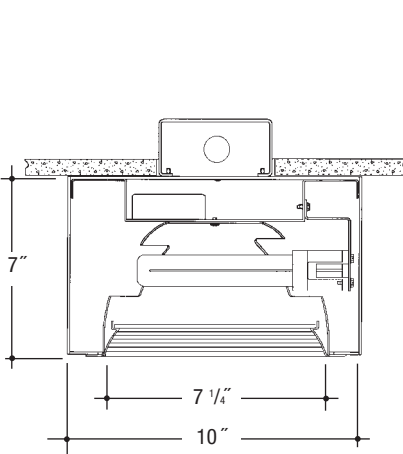


# Architectural Cylinders

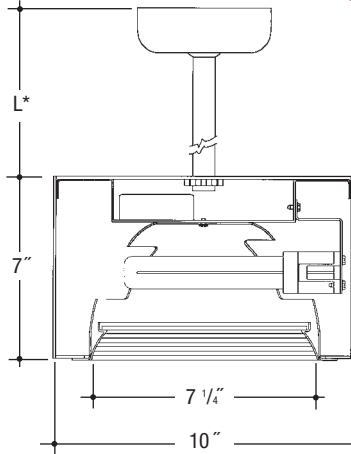
Job Name \_\_\_\_\_

Type \_\_\_\_\_

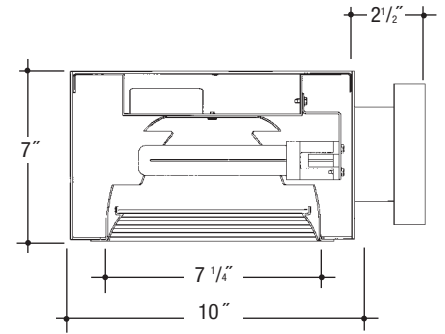
**10"x7" H.F.  
LENSED BAFFLED**



**VC107SHF2 – Ceiling Mount**



**VP107SHF2 – Pendant Mount**



**VW107SHF2 – Wall Mount**

**Cylinder – Horizontal Fluorescent 2-Lamp (Twin, Quad or Triple Tube) Specular Clear “Alzak” Reflector Lensed Baffled**

Catalog Number

	Wattage	Ballast	Voltage	Finish	Splay	Lens	Options
<b>VC107SHF2</b>							
<b>VP107SHF2</b>	42W MAX. PLT•••	E	1	WHT	SCL/BL	11	REM
<b>VW107SHF2</b>	32W PLT•••	DA	2	BLK	SCL/WH	14	
	26W DTT, PLT		3	BZ		16	
	18W DTT, PLT		4	CS			
	13W TT, DTT						

••• 1-Lamp – Max. for 42W and 32W Triple Tube

1-Lamp – Replace VC107SHF2 with VC107SHF1

Electronic Multi-Tap Ballast 120 Thru 277V Factory Standard

**Specifications**

**Housing** – .064" thick spun aluminum cylinder. Polyester powdercoat exterior finish with factory standard finishes White (WHT), Black (BLK), Bronze (BZ), Camero Silver (CS).

**Socket** – Thermo-plastic and positive locking. *UL Listed.*

**Ballast** – Electronic ballast, Class P, 50/60 HZ-120/277, Programmed Start, thermally protected, 98% Power Factor, 1.00 Ballast Factor, <10% THD, Class A sound rated.

Minimum starting temperature -18°C/0°F.

*UL Listed* component.

**Reflector** – Heavy gauge hand spun aluminum shallow reflector with a specular clear “Alzak” finish and baffled splay/lens holder. (Factory Standard) Flange painted to match cylinder color.

**Pendant** – Pendant mount accepts slope ceilings with a 45° swivel adjustment.

L\* – Factory Standard stem length is 12'.

**Wall Bracket** – Cast Aluminum Construction.

**Voltage**

- 1 120 Volt
- 2 277 Volt
- 3 347 Volt
- 4 208 Volt

**Ballast**

- E Electronic (4 Pin Lamp)
- DA Advance Mark X Dimming (4 Pin Lamp)
- \* 13 Watt Advance Mark VII Only (4 Pin Lamp)

**Splay/Lens Options ▲**

- 11 Tempered Clear Lens
- 14 Tempered C73 Prismatic Lens
- 16 Tempered Fresnel Lens
- SCL/BL Black Baffle
- SCL/WH White Baffle

**Options ▲**

- REM Remote Emergency Battery

**Features**

Manufactured and Listed to UL 1598, ETL and CSA standards.

*Suitable for Damp Locations*

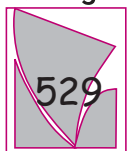
*Wet location under covered ceiling*



▲ See Options and Finishes pages for a list of additional finishes and equipment.

Vantage reserves the right to change components, finishes or design details in any manner which does not alter the installed appearance or reduce performance and intended function.

**Vantage**



**Luminaires**

76 Community Avenue Plainfield, CT 06374  
voice (860) 564.4512 fax (860) 564.4854  
www.vantageitg.com

06/07