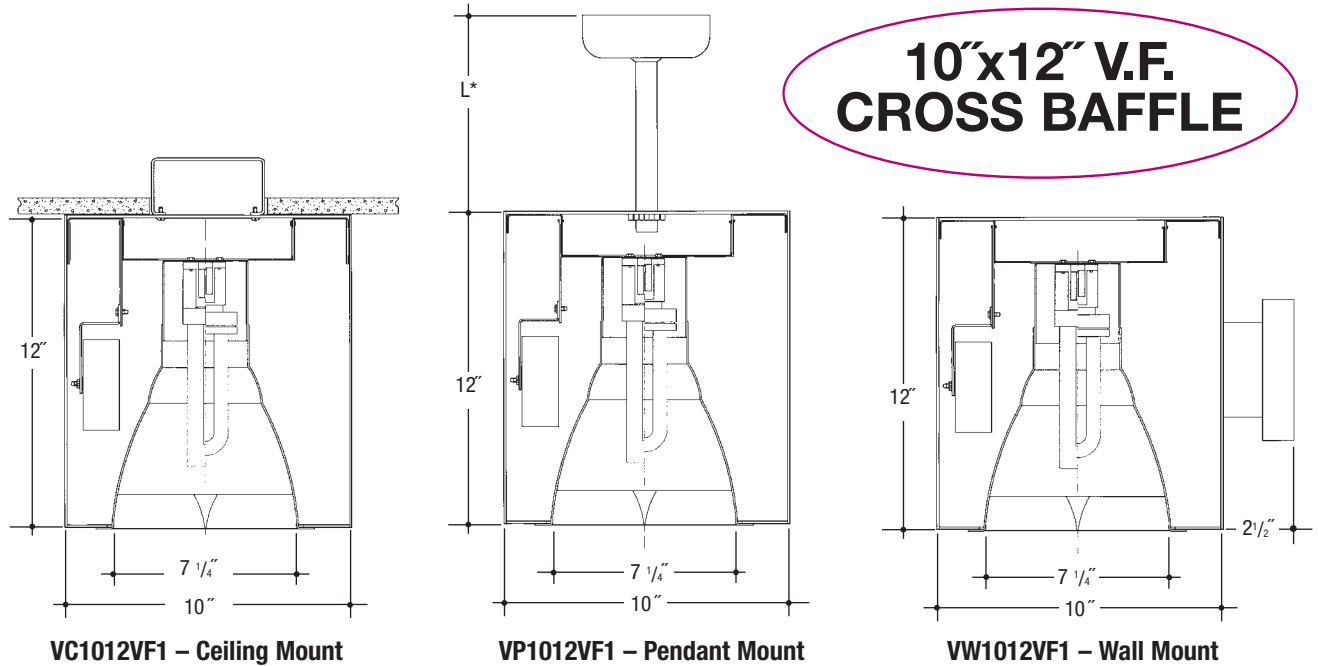


Architectural Cylinders

Job Name _____

Type _____



Cylinder – Vertical Fluorescent 1-Lamp (Compact Fluorescent Quad or Triple Tube) Specular Clear “Alzak” Cross Baffle

Catalog Number	Wattage	Ballast	Voltage	Finish	Reflector	Options
VC1012VF1	42W MAX. PLT	E	1	WHT	S35SCL	REM
VP1012VF1	32W PLT	DA	2	BLK	S35SGO	WL*
VW1012VF1	26W DTT, PLT		3	BZ	S35WHT	
	18W DTT, PLT		4	CS		
	13W DTT					

2-Lamp – Replace VC1012VF1 with VC1012VF2

2-Lamp Not available in Triple Tube

Electronic Multi-Tap Ballast 120 Thru 277V Factory Standard

* - VC and VW Only

Specifications

Housing – .064” thick spun aluminum cylinder. Polyester powdercoat exterior finish with factory standard finishes White (WHT), Black (BLK), Bronze (BZ), Camero Silver (CS).

Socket – Thermo-plastic and positive locking. *UL Listed.*

Ballast – Electronic ballast, Class P, 50/60 HZ-120/277, Programmed Start, thermally protected, 98% Power Factor, 1.00 Ballast Factor, <10% THD, Class A sound rated.

Minimum starting temperature -18°C/0°F.

UL Listed component.

Reflector – Heavy gauge hand spun aluminum reflector with a specular “Alzak” low iridescent finish and parabolic cross baffle louver. Rolled polished flange.

Pendant – Pendant mount accepts slope ceilings with a 45° swivel adjustment.

L* – Factory Standard stem length is 12”.

Wall Bracket – Cast Aluminum Construction.

Voltage

1	120 Volt
2	277 Volt
3	347 Volt
4	208 Volt

Ballast

E	Electronic	(4 Pin Lamp)
DA	Advance Mark X Dimming	(4 Pin Lamp)
*	13 Watt Advance Mark VII Only	(4 Pin Lamp)

Reflector Options ▲

S35SCL	Specular Clear “Alzak” Cross Baffle
S35SGO	Specular Gold “Alzak” Cross Baffle
S35WHT	White Cross Baffle

Options ▲

REM	Remote Emergency Battery
WL	Suitable for Wet Locations

Features

Manufactured and Listed to UL 1598, ETL and CSA standards.

Suitable for Damp Locations

Wet location under covered ceiling

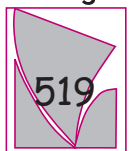
Suitable for Wet Locations



▲ See Options and Finishes pages for a list of additional finishes and equipment.

Vantage reserves the right to change components, finishes or design details in any manner which does not alter the installed appearance or reduce performance and intended function.

Vantage



Luminaires

76 Community Avenue Plainfield, CT 06374
 voice (860) 564.4512 fax (860) 564.4854
 www.vantageitg.com

06/07