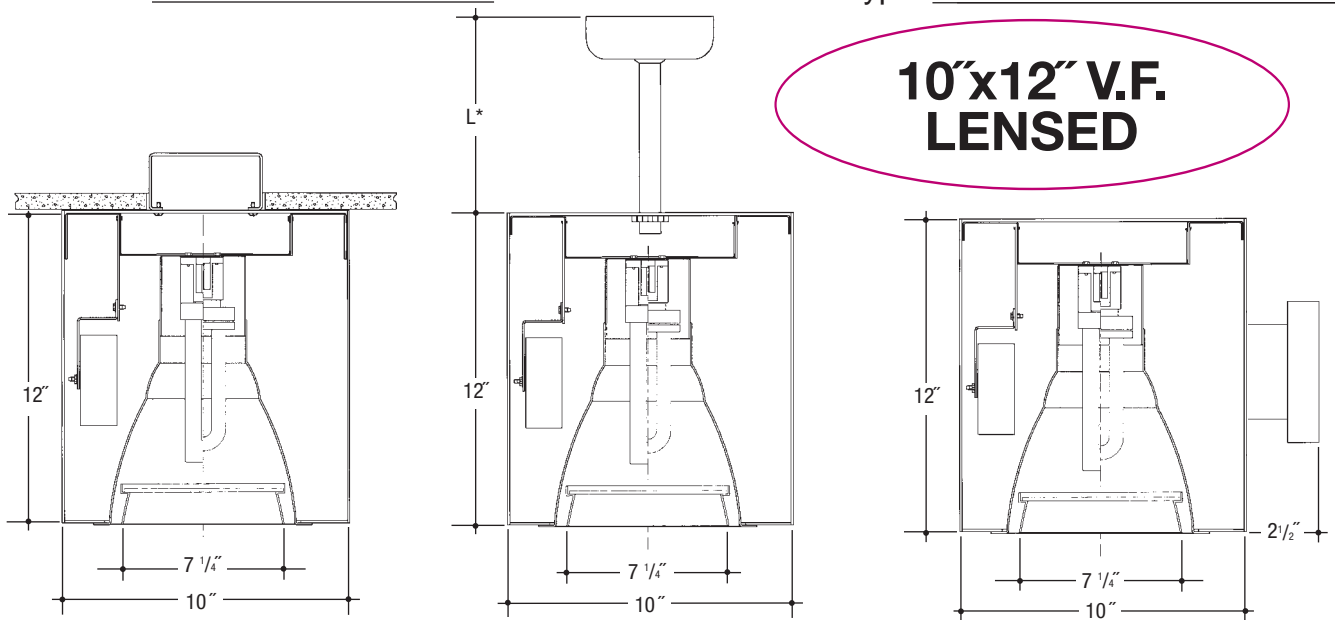


Architectural Cylinders

Job Name _____

Type _____



VC1012VF1 – Ceiling Mount

VP1012VF1 – Pendant Mount

VW1012VF1 – Wall Mount

Cylinder – Vertical Fluorescent 1-Lamp (Compact Fluorescent Quad or Triple Tube) Clear “Alzak” Reflector Lensed

Catalog Number _____

	Wattage	Ballast	Voltage	Finish	Splay	Lens	Options
VC1012VF1							
VP1012VF1							
VW1012VF1	42W MAX. PLT 32W PLT 26W DTT, PLT 18W DTT, PLT 13W DTT	E DA	1 2 3 4	WHT BLK BZ CS	SCL SGO	11 14 16	REM WL*

2-Lamp – Replace **VC1012VF1** with **VC1012VF2**

2-Lamp Not available in **Triple Tube**

Electronic Multi-Tap Ballast 120 Thru 277V Factory Standard

* - **VC** and **VW** Only

Specifications

Housing – .064" thick spun aluminum cylinder. Polyester powdercoat exterior finish with factory standard finishes White (WHT), Black (BLK), Bronze (BZ), Camero Silver (CS).

Socket – Thermo-plastic and positive locking. *UL Listed.*

Ballast – Electronic ballast, Class P, 50/60 HZ-120/277, Programmed Start, thermally protected, 98% Power Factor, 1.00 Ballast Factor, <10% THD, Class A sound rated. Minimum starting temperature -18°C/0°F. *UL Listed* component.

Reflector – Heavy gauge hand spun aluminum reflector with a specular clear “Alzak” finish and clear splay/lens holder. Flange to match cylinder color. (Factory Standard)

Pendant – Pendant mount accepts slope ceilings with a 45° swivel adjustment. L* – Factory Standard stem length is 12”.

Wall Bracket – Cast Aluminum Construction.

Voltage

1	120 Volt
2	277 Volt
3	347 Volt
4	208 Volt

Ballast

E	Electronic	(4 Pin Lamp)
DA	Advance Mark X Dimming	(4 Pin Lamp)
*	13 Watt Advance Mark VII Only	(4 Pin Lamp)

Splay/Lens Options ▲

11	Tempered Clear Lens
14	Tempered C73 Prismatic Lens
16	Tempered Fresnel Lens
SCL	Specular Clear “Alzak”
SGO	Specular Gold “Alzak”

Options ▲

REM	Remote Emergency Battery
WL	Sealed and Gasketed for Wet Locations

Features

Manufactured and Listed to UL 1598, ETL and CSA standards. Suitable for Damp Locations Wet location under covered ceiling Suitable for Wet Locations



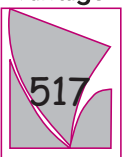
▲ See Options and Finishes pages for a list of additional finishes and equipment.

Vantage reserves the right to change components, finishes or design details in any manner which does not alter the installed appearance or reduce performance and intended function.

06/07

76 Community Avenue Plainfield, CT 06374
voice (860)564.4512 fax (860)564.4854
www.vantageitg.com

Vantage



Luminaires