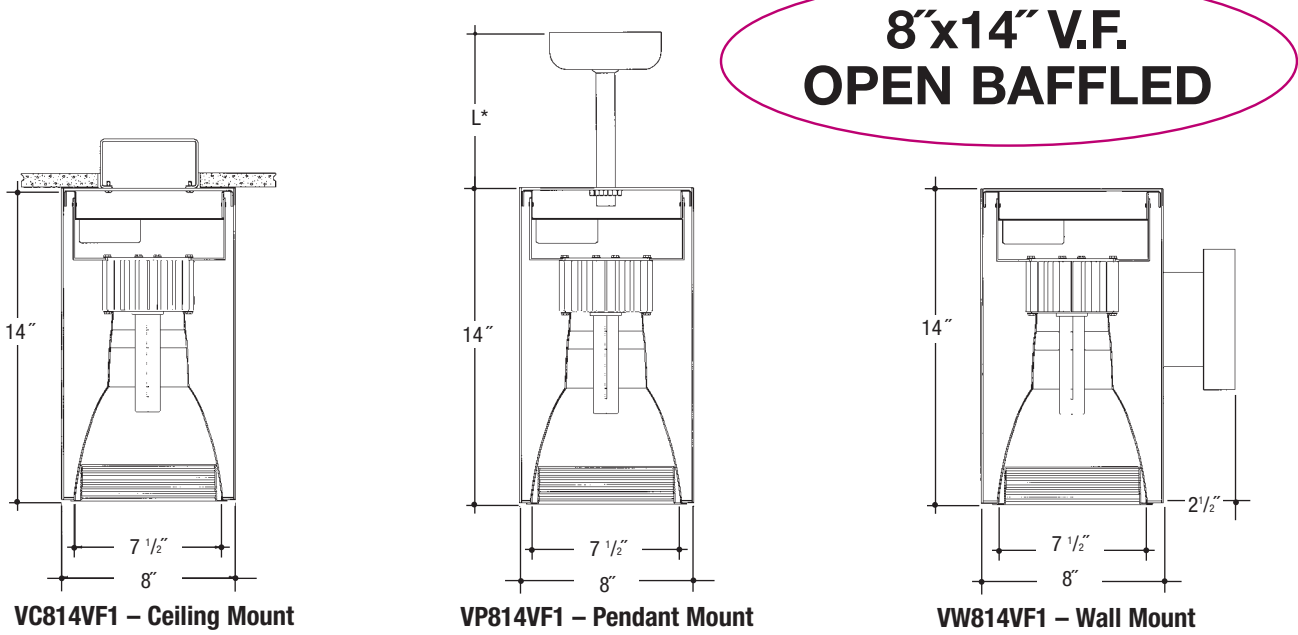


# Architectural Cylinders

Job Name \_\_\_\_\_

Type \_\_\_\_\_



**Cylinder – Vertical Fluorescent 1-Lamp (Compact Fluorescent Quad or Triple Tube) “Alzak” Reflector with Baffle**

Catalog Number

	Wattage	Ballast	Voltage	Finish	Reflector	Options
<b>VC814VF1</b>	42W MAX. PLT	E	1	WHT	SCL/BL	REM
<b>VP814VF1</b>	32W PLT	DA	2	BLK	SCL/WH	EMI
<b>VW814VF1</b>	26W DTT, PLT		3	BZ	SGO/BL	WL*
	18W DTT			CS	SGO/WH	
	13W DTT					

Electronic Multi-Tap Ballast 120 Thru 277V Factory Standard

\* - VC and VW Only

**Specifications**

**Housing** – .064” thick spun aluminum cylinder. Polyester powdercoat exterior finish with factory standard finishes White (WHT), Black (BLK), Bronze (BZ), Camero Silver (CS).

**Socket** – Thermo-plastic and positive locking. *UL Listed.*

**Ballast** – Electronic ballast, Class P, 50/60 HZ-120/277, Programmed Start, thermally protected, 98% Power Factor, 1.00 Ballast Factor, <10% THD, Class A sound rated. Minimum starting temperature -18°C/0°F. *UL Listed* component.

**Reflector** – Heavy gauge hand spun aluminum reflector with a specular “Alzak” low iridescent finish and multi-groove baffle.

**Pendant** – Pendant mount accepts slope ceilings with a 45° swivel adjustment. L\* – Factory Standard stem length is 12”.

**Wall Bracket** – Cast Aluminum Construction.

**Voltage**

1	120 Volt
2	277 Volt
3	347 Volt

**Ballast**

E	Electronic	(4 Pin Lamp)
DA	Advance Mark X Dimming	(4 Pin Lamp)
*	13 Watt Advance Mark VII Only	(4 Pin Lamp)

**Reflector Options** ▲

SCL/BL	Clear “Alzak” Reflector with Black Baffle
SCL/WH	Clear “Alzak” Reflector with White Baffle
SGO/BL	Gold “Alzak” Reflector with Black Baffle
SGO/WH	Gold “Alzak” Reflector with White Baffle

**Options** ▲

REM	Remote Emergency Ballast
EMI	Internal Mounted Emergency Test Switch
WL‡	Suitable for Wet Locations

**Features**

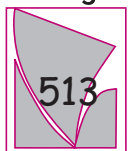
Manufactured and Listed to UL 1598, ETL and CSA standards. Suitable for Damp Locations. Wet location under covered ceiling



▲ See Options and Finishes pages for a list of additional finishes and equipment.

Vantage reserves the right to change components, finishes or design details in any manner which does not alter the installed appearance or reduce performance and intended function.

Vantage



Luminaires

76 Community Avenue Plainfield, CT 06374  
 voice (860)564.4512 fax (860)564.4854  
 www.vantageitg.com

06/07