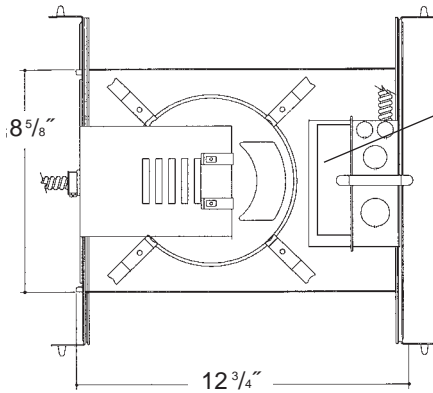


C o m m e r c i a l G r a d e

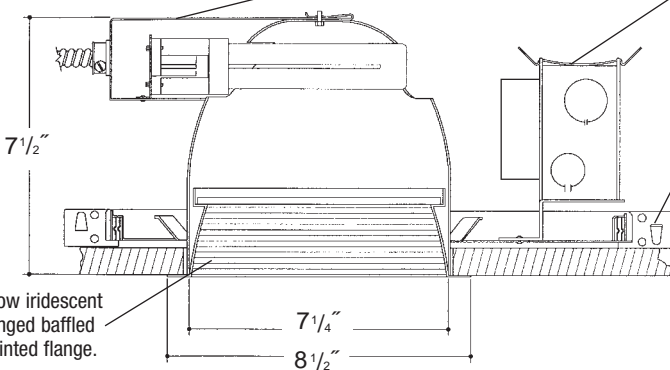
Job Name _____

Type _____



Electronic ballast, Class P, 50/60 HZ-120/277, Programmed Start, thermally protected, 98% Power Factor, 1.00 Ballast Factor, <10% THD, Class A sound rated. Minimum starting temperature -18°C/0°F.
Magnetic ballast, High Power Factor, thermally protected, minimum starting temperature 10°C/50°F.
UL Listed component.

8" H.F. LENSED BAFFLED



Heavy gauge spun aluminum low iridescent reflector with self trimming flanged baffled splay/lens holder and white painted flange. Safety chain provided.

Aluminum socket housing with quick assembly hardware for fast assembly. *UL Listed* socket and electrical connectors.

Heavy gauge electrogalvanized steel junction box, prewired and grounded with easy access from below. Listed for through branch circuit wiring.

Electrogalvanized steel frame components with spring steel reflector clips for fast assembly of reflector. Innovative, rigid bar hangers incorporate formed cross sections, joist positioning tabs, integral nails, auxiliary nailholes, T-Bar slots and holes for locking bars to T-Bar using #8 self-tapping screws (by others). Bars extend 14"-24". Frame will also accept Caddy Bar #517B for fast installation in drop-in ceilings, bars extend 27".

Rough in Kit – 8" Horizontal Fluorescent 2-Lamp (Compact Fluorescent Twin or Quad Tube)

Catalog Number **8HF2**

| 8HF2 | Wattage | Ballast | Voltage | Options |
|------|------------------|---------|---------|---------|
| | 42W MAX. PLT ●●● | E | 1 | EM |
| | 32W PLT ●●● | H | 2 | F |
| | 26W DTT ●●● | DA | 3 | R |
| | 18W DTT | DL | 4 | |
| | 13*W TT, DTT | | | |

| Ballast | | |
|-----------|-------------------------------------|--------------|
| E | Electronic | (4 Pin Lamp) |
| H | High Power Factor | (2 Pin Lamp) |
| DA | Dimming - Advance Mark X | (4 Pin Lamp) |
| DL | Dimming - Lutron | (4 Pin Lamp) |
| * | 13W Advance Mark VII Only | |
| Voltage | | |
| 1 | 120 Volts | |
| 2 | 277 Volts | |
| 3 | 347 Volts (Electronic Ballast only) | |
| 4 | 208 Volts (Electronic Ballast Only) | |
| Options ▲ | | |
| EM | Emergency Battery | |
| F | Fused | |
| R | Remodeler | |

●●●1-Lamp – MAX. for 32W and 42W Triple Tube

1-Lamp – Replace 8HF2 with 8HF1

Electronic Multi-Tap Ballast 120V Thru 277V Factory Standard

Finishing Kit – 8" Horizontal Fluorescent Lensed Reflector – clear reflector standard with Black or White Baffled Splay

Catalog Number **86**

| 86 | Lens | Finish | Options |
|----|--|--------|---------|
| | 8621 - Tempered Clear Lens | SCL/BL | WL |
| | 8624 - Tempered Prismatic Lens (C73 Pattern) | SCL/WH | |
| | 8626 - Fresnel Lens | WHT/WH | |
| | | WHT/BL | |

Finish (Factory Standard)

| | |
|---------------|---|
| SCL/BL | Specular Clear "Alzak" with Black Baffled Splay |
| SCL/WH | Specular Clear "Alzak" with White Baffled Splay |
| WHT/WH | White Reflector with White Baffled Splay |
| WHT/BL | White Reflector with Black Baffled Splay |

Options ▲

| | |
|-----------|---------------------------------|
| WL | Sealed Lens and Gasketed Flange |
|-----------|---------------------------------|

Features

Manufactured and Listed to UL 1598, ETL and CSA standards. Suitable for Damp Locations Wet location under covered ceiling



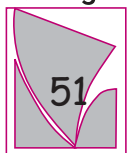
▲ See Options and Finishes pages for a list of additional finishes and equipment.

Vantage reserves the right to change components, finishes or design details in any manner which does not alter the installed appearance or reduce performance and intended function.

06/07

76 Community Avenue Plainfield, CT 06374
voice (860)564.4512 fax (860)564.4854
www.vantageltg.com

Vantage



Luminaires