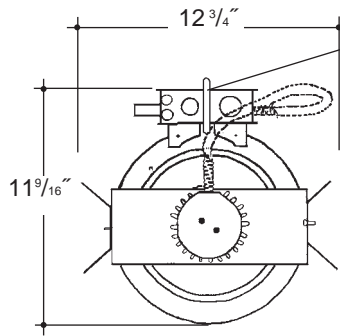


Architectural Grade

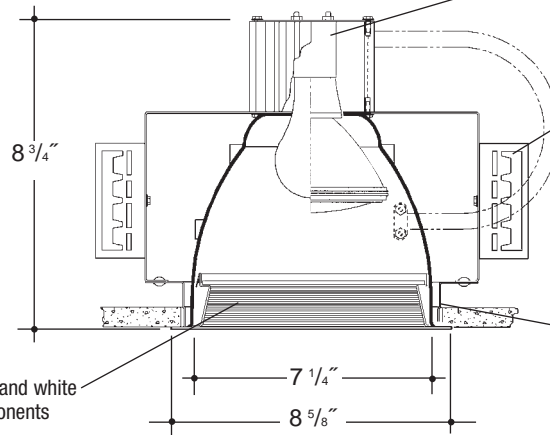
Job Name _____

Type _____



Heavy duty cast aluminum junction box, prewired and grounded with easy access from below. Listed for through branch circuit wiring. *UL Listed*. Thermal cut-out provided.

8" LENSED BAFFLED NON-MAGNETIC/MRI



Aluminum heat sink socket cup with stainless steel and brass hardware. Keyslots in reflector for fast assembly. *UL Listed* medium base porcelain socket, with nickel plated brass screw shell.

Adjustable height aluminum mounting brackets with cutouts for various mounting methods. Aluminum mounting bars (included) suitable for use in MRI. Brackets will accept aluminum C-Channel or other non-magnetic mounting bars. (supplied by others)

Aluminum plaster ring fastened to the spun aluminum frame and aluminum reflector mounting strap with aluminum rivets.

Heavy gauge spun aluminum reflector with self trimming flanged baffled splay/lens holder and white painted flange. Safety chain provided. All components non-magnetic.

Rough in Kit – 8" Incandescent Non-Magnetic Construction (150W A23, A21; 150W PAR38; 100W BR40; 100W PAR30)

Catalog Number **A81NCAL**

A81NCAL	Wattage	Voltage
	150W MAX. A23, A21 150W PAR38 100W BR40 100W PAR30	120

Finishing Kit – 8" Incandescent Non-Magnetic Lensed Reflector – clear reflector standard with Black or White Baffled Splay

Catalog Number **A80**

A80	Lens	Finish	Options	Finish (Factory Standard)
	A8021 - Tempered Clear Lens A8024 - Tempered Prismatic Lens (C73 Pattern) A8026 - Fresnel Lens	SCL/BL SCL/WH WHT/WH WHT/BL	WL	SCL/BL Specular Clear "Alzak" with Black Baffled Splay SCL/WH Specular Clear "Alzak" with White Baffled Splay WHT/WH White Reflector with White Baffled Splay WHT/BL White Reflector with Black Baffled Splay
			Options ▲	WL Sealed Lens and Gasketed Flange

Features

Manufactured and Listed to UL 1598, ETL and CSA standards.
Suitable for Damp Locations
Wet location under covered ceiling



▲ See Options and Finishes pages for a list of additional finishes and equipment.

Vantage reserves the right to change components, finishes or design details in any manner which does not alter the installed appearance or reduce performance and intended function.

05/07

76 Community Avenue Plainfield, CT 06374
voice (860)564.4512 fax (860)564.4854
www.vantageitg.com

