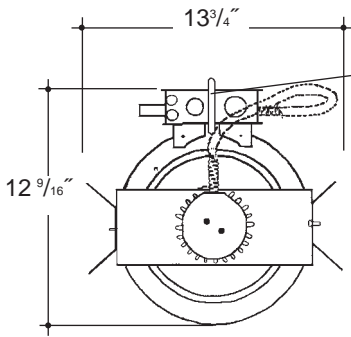


Architectural Grade

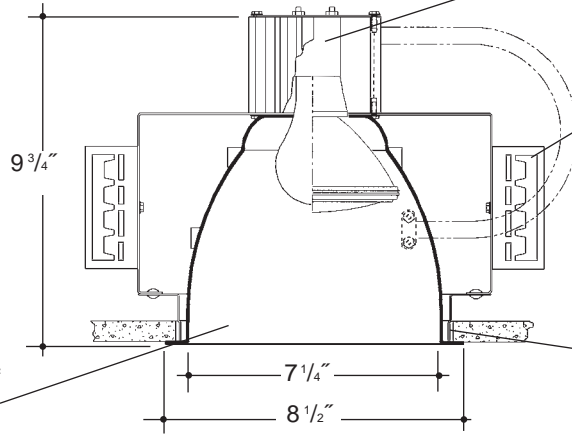
Job Name _____

Type _____



Heavy duty cast aluminum junction box, prewired and grounded with easy access from below. Listed for through branch circuit wiring. *UL Listed*. Thermal cut-out provided.

**8" OPEN
NON-MAGNETIC/MRI**



Aluminum heat sink socket cup with stainless steel and brass hardware. Keyslots in reflector for fast assembly. *UL Listed* medium base porcelain socket, with nickel plated brass screw shell.

Adjustable height aluminum mounting brackets with cutouts for various mounting methods. Aluminum mounting bars (included) suitable for use in MRI. Brackets will accept aluminum C-Channel or other non-magnetic mounting bars. (supplied by others)

Heavy gauge spun aluminum reflector with self rimming white painted flange. Polished Flange available.

Aluminum plaster ring fastened to the spun aluminum frame and aluminum reflector mounting strap with aluminum rivets.

Rough in Kit – 8" Incandescent Non-Magnetic Construction (250W PAR38; 200W A23; 150W A21, PAR38; 100W BR40; 100W PAR30)

Catalog Number **A81NCAL**

A81NCAL	Wattage	Voltage
	250W MAX. PAR38	120
	200W A23	
	150W A21, PAR38	
	100W BR40	
	100W PAR30	

Finishing Kit – 8" Incandescent Non-Magnetic Open Reflector

Catalog Number **A8000**

A8000	Finish	Option
	SCL	PF
	SGO	
	WHT	

Finish (Factory Standard)

- SCL** Specular Clear "Alzak" with White Flange
- SGO** Specular Gold "Alzak" with White Flange
- WHT** White Reflector with White Flange

Options ▲

- PF** High Polished Flange

Features

Manufactured and Listed to UL 1598, ETL and CSA standards.
Suitable for Damp Locations
Wet location under covered ceiling



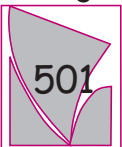
▲ See Options and Finishes pages for a list of additional finishes and equipment.

Vantage reserves the right to change components, finishes or design details in any manner which does not alter the installed appearance or reduce performance and intended function.

05/07

76 Community Avenue Plainfield, CT 06374
voice (860)564.4512 fax (860)564.4854
www.vantageltg.com

Vantage



Luminaires

Photometric Information

Product Number: A8INCAL150PAR38/8000SCL

Frame In Kit: 8" Vertical Mount Incandescent

Reflector: 8" Vertical Mount Clear "Alzak" Reflector

LTL Test Number: 06868

Lamp(s) Source: (1) 150W PAR38/CAP/FL Halogen rated at 2200 lumens

Total Luminaire Efficiency: 93.6%

CIE Type: Direct

Luminaire Spacing Criterion: 0.5

Luminous Diameter: 7.500

Zonal Lumen Summary

ZONE	LUMENS	%LAMP	%FIXTURE
0- 30	1921	87.3	93.3
0- 40	2050	93.2	99.6
0- 60	2059	93.6	100.0
0- 90	2059	93.6	100.0
90-180	0	0.0	0.0
0-180	2059	93.6	100.0

Cone of Light

Ft. Below	Fc Nadir	Dia @50%
6.0	158.9	3.4
8.0	89.4	4.6
10.0	57.2	5.7
12.0	39.7	6.8
14.0	29.2	8.0
16.0	22.4	9.1

Coefficients of Utilization

RC	80				70				50				30				10				0
RW	70	50	30	10	70	50	30	10	50	30	10	50	30	10	50	30	10	50	30	10	0
0	111111111111	109109109109	104104104	100100100	96	96	96	94													
1	108106105103	106104103102	101	99	98	97	96	96	94	93	93	91									
2	105102100	97	103101	98	96	98	96	94	95	94	92	93	91	90	89						
3	102	99	96	93	101	97	95	93	95	93	91	93	91	90	91	90	89	87			
4	100	95	92	90	98	94	92	89	93	90	88	91	89	87	89	88	86	85			
5	97	92	89	86	96	92	88	86	90	87	85	89	86	85	87	86	84	83			
6	95	90	86	84	94	89	86	84	88	85	83	87	85	83	86	84	82	81			
7	92	87	84	81	92	87	83	81	86	83	81	85	82	80	84	82	80	79			
8	90	85	81	79	89	84	81	79	83	81	78	83	80	78	82	80	78	77			
9	88	82	79	77	87	82	79	77	81	78	76	81	78	76	80	78	76	75			
10	86	80	77	75	85	80	77	75	79	76	74	79	76	74	78	76	74	73			

